

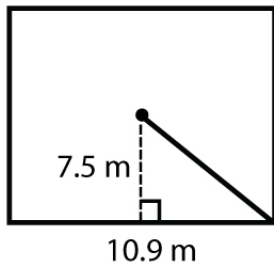
Name : _____

Score : _____ Date : _____

Areas of Regular Polygons and Composite Figures Worksheet

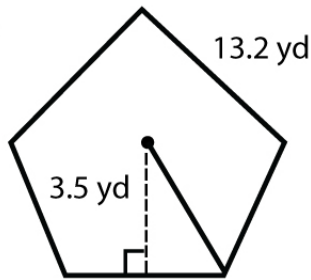
Find the area of the given regular polygons and composite figures

1



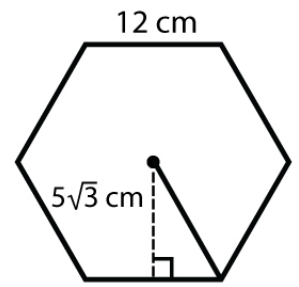
Area = _____

2



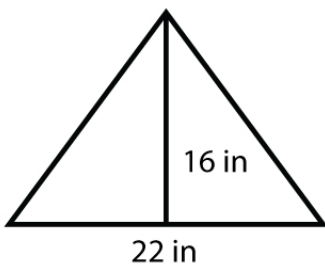
Area = _____

3



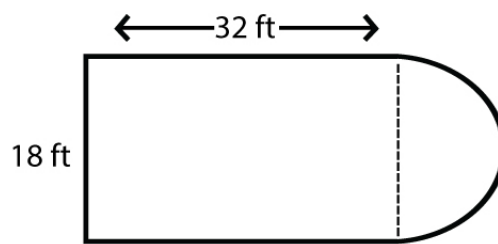
Area = _____

4



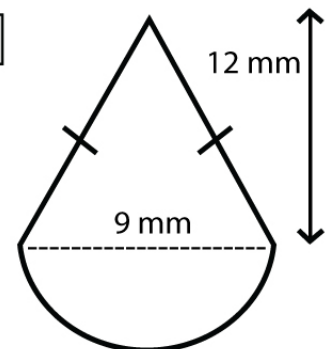
Area = _____

5



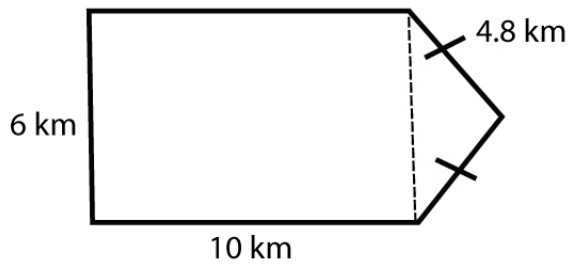
Area = _____

6



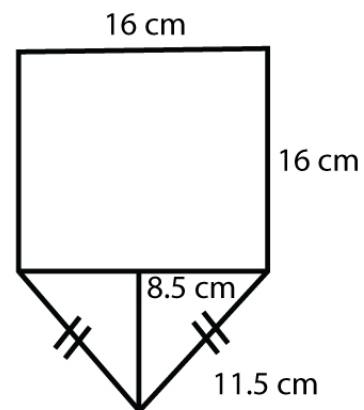
Area = _____

7



Area = _____

8



Area = _____

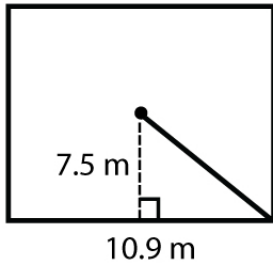
Name : _____

Score : _____ Date : _____

Areas of Regular Polygons and Composite Figures Worksheet

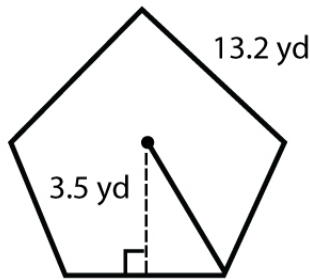
Answers

1



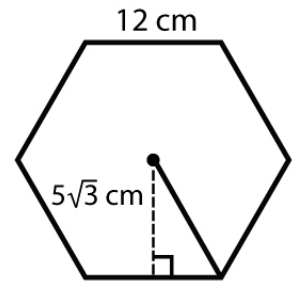
Area = 163.5 m²

2



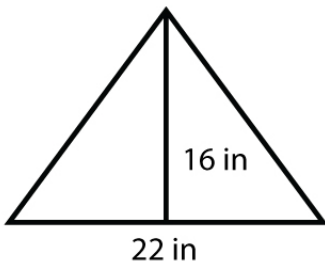
Area = 115.5 yd²

3



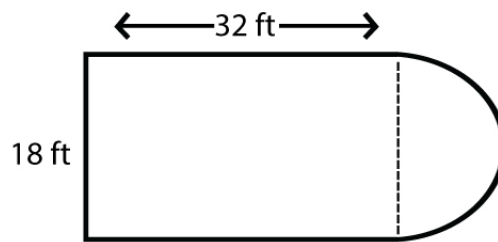
Area = 180√5 cm²

4



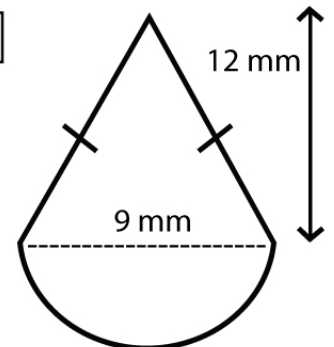
Area = 176 in²

5



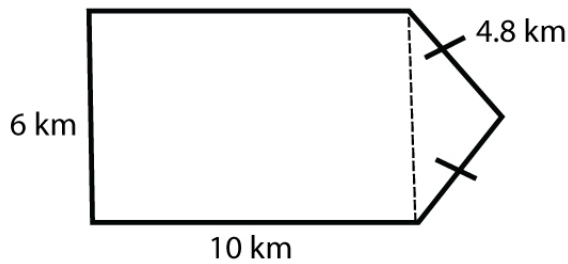
Area = 703.17 ft²

6



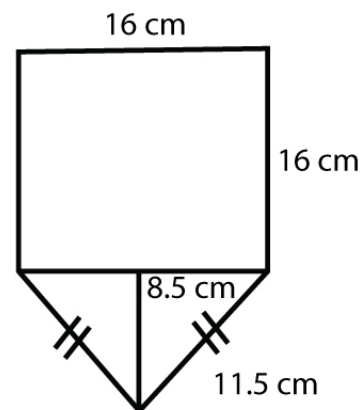
Area = 85.79 mm²

7



Area = 71.24 km²

8



Area = 304.87 cm²