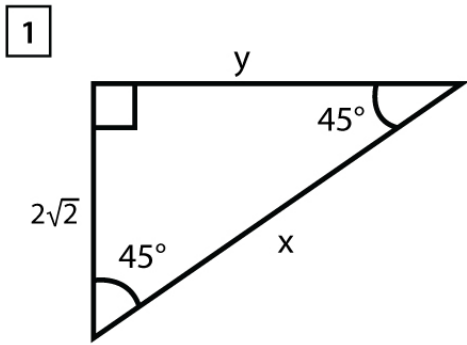


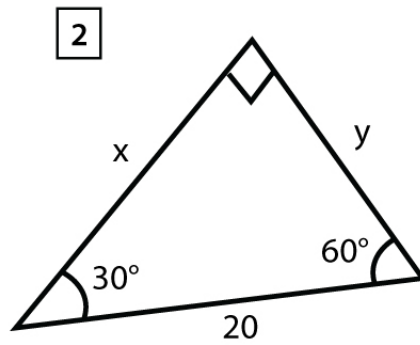
Name : \_\_\_\_\_

Score : \_\_\_\_\_ Date : \_\_\_\_\_

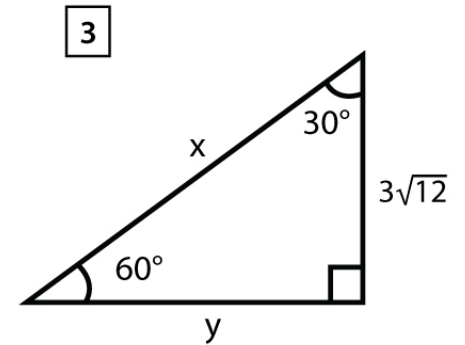
30-60-90 and 45-45-90 Triangle Worksheet



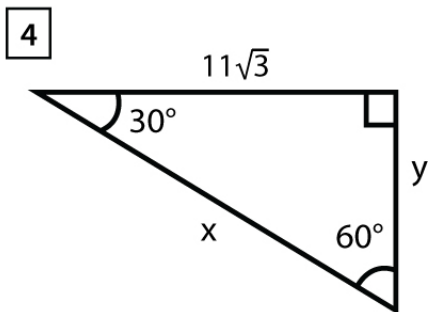
$x =$  ,  $y =$



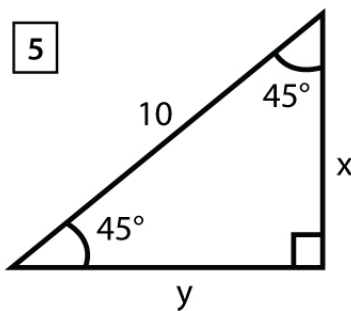
$x =$  ,  $y =$



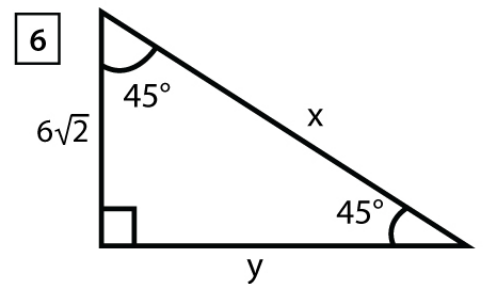
$x =$  ,  $y =$



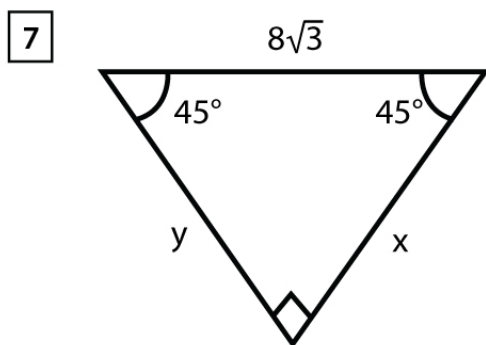
$x =$  ,  $y =$



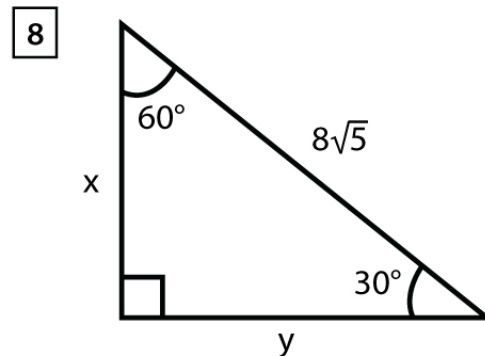
$x =$  ,  $y =$



$x =$  ,  $y =$



$x =$  ,  $y =$



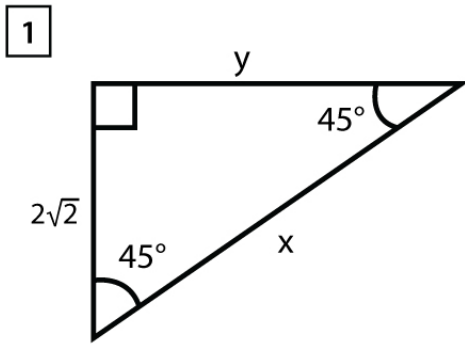
$x =$  ,  $y =$

Name : \_\_\_\_\_

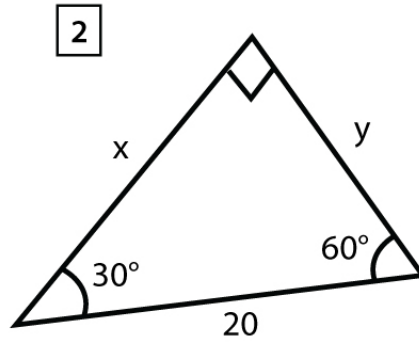
Score : \_\_\_\_\_ Date : \_\_\_\_\_

30-60-90 and 45-45-90 Triangle Worksheet

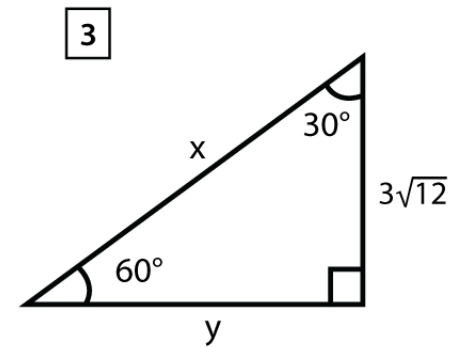
Answers



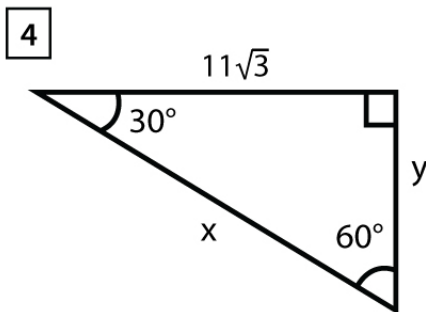
$x = 4$  ,  $y = 2\sqrt{2}$



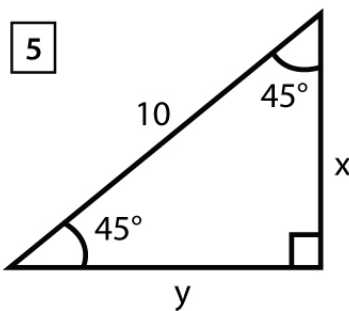
$x = 10\sqrt{3}$  ,  $y = 10$



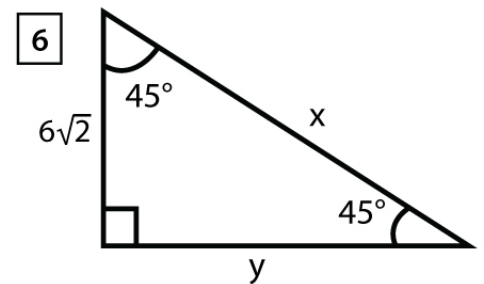
$x = 6\sqrt{3}$  ,  $y = 6$



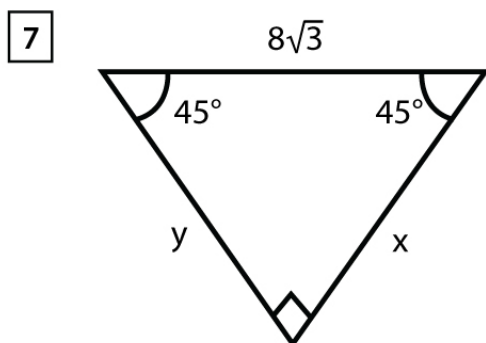
$x = 22$  ,  $y = 11$



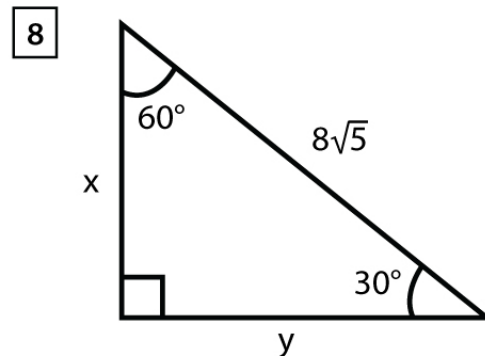
$x = 10\sqrt{2}$  ,  $y = 10\sqrt{2}$



$x = 12$  ,  $y = 6\sqrt{2}$



$x = \frac{8\sqrt{3}}{\sqrt{2}}$  ,  $y = \frac{8\sqrt{3}}{\sqrt{2}}$



$x = 48\sqrt{5}$  ,  $y = 48\sqrt{15}$