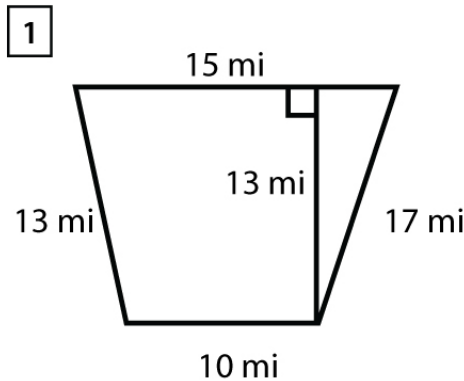


Name : _____

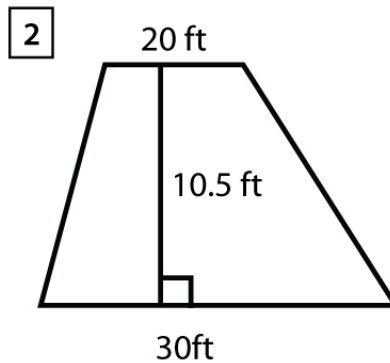
Score : _____ Date : _____

Area of Trapezoid Worksheet

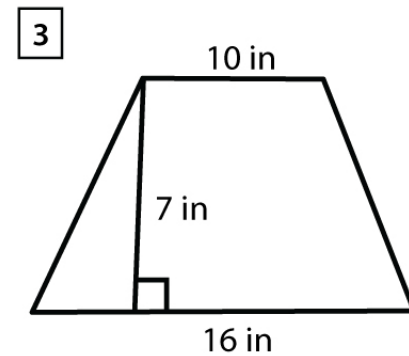
Find the area of each trapezoid.



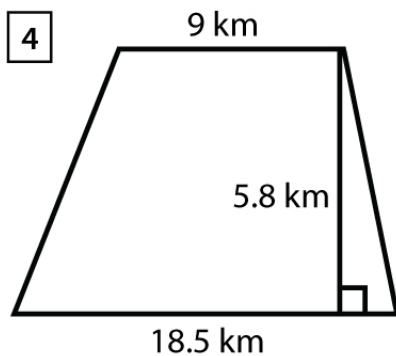
Area = _____



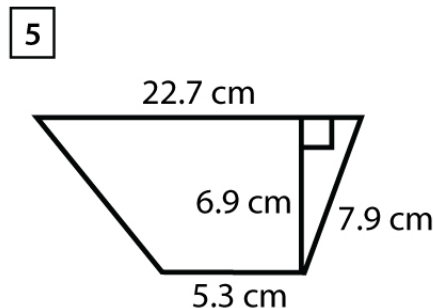
Area = _____



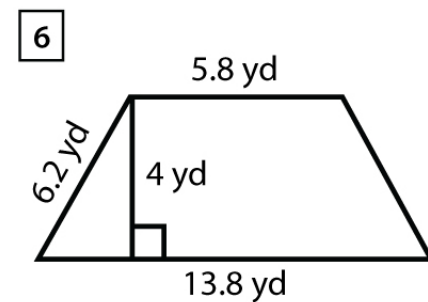
Area = _____



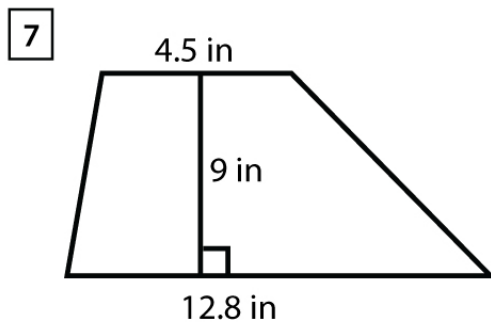
Area = _____



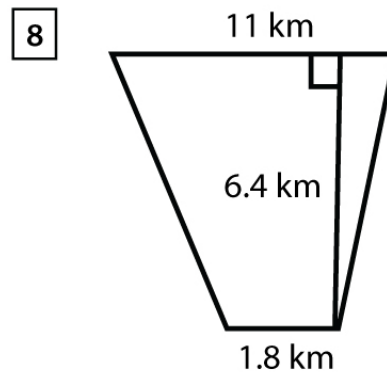
Area = _____



Area = _____



Area = _____



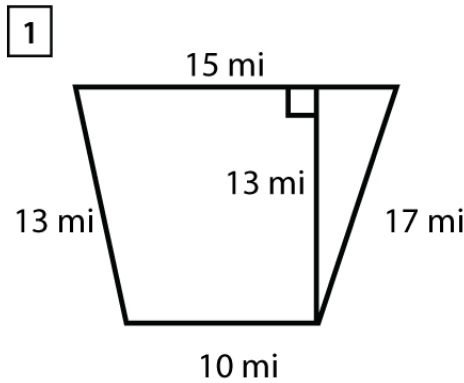
Area = _____

Name : _____

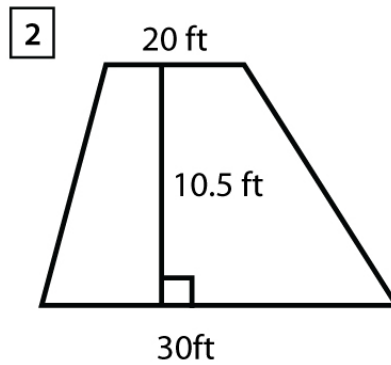
Score : _____ Date : _____

Area of Trapezoid Worksheet

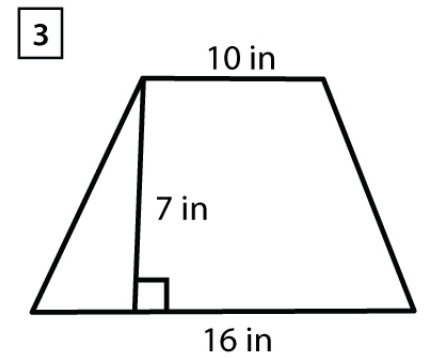
Answers



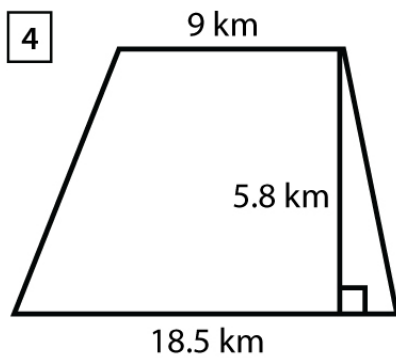
Area = 162.5 mi²



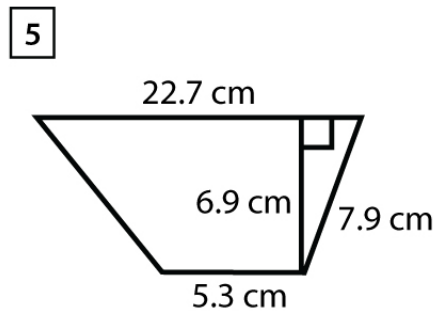
Area = 262.5 ft²



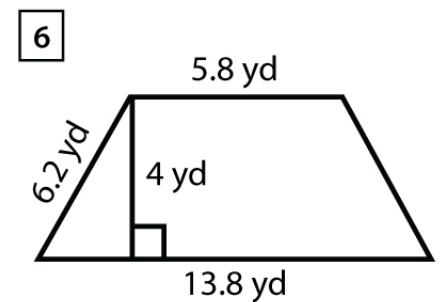
Area = 91 in²



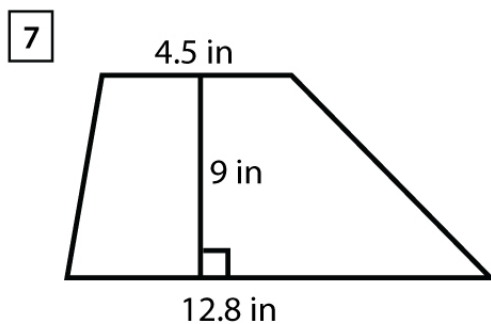
Area = 79.75 km²



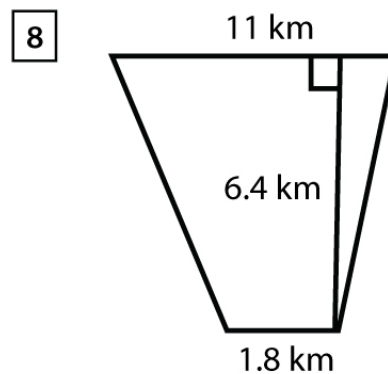
Area = 96.6 cm²



Area = 39.2 yd²



Area = 96.6 in²



Area = 40.96 km²