

Name : _____

Score : _____ Date : _____

Missing Angles in a Triangle Worksheet

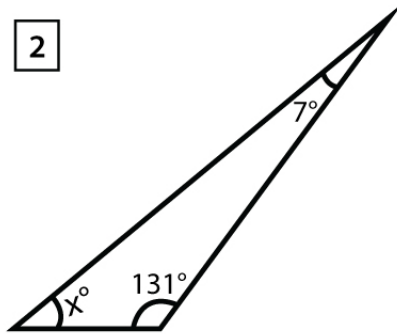
Calculate the missing angle(s) in the given triangles

1



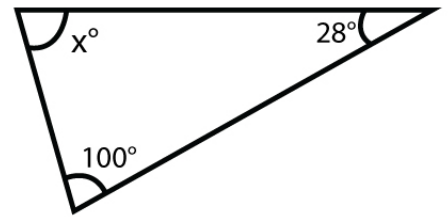
$x^\circ = \underline{\hspace{2cm}}$

2



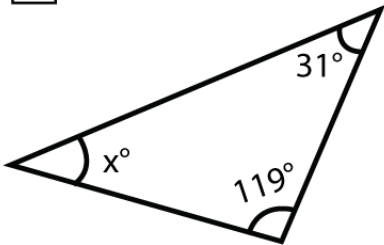
$x^\circ = \underline{\hspace{2cm}}$

3



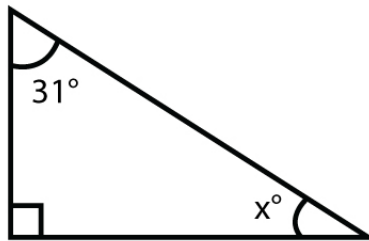
$x^\circ = \underline{\hspace{2cm}}$

4



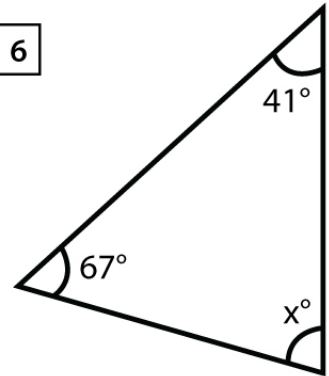
$x^\circ = \underline{\hspace{2cm}}$

5



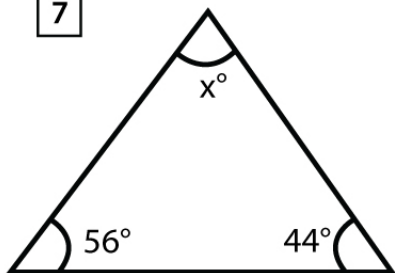
$x^\circ = \underline{\hspace{2cm}}$

6



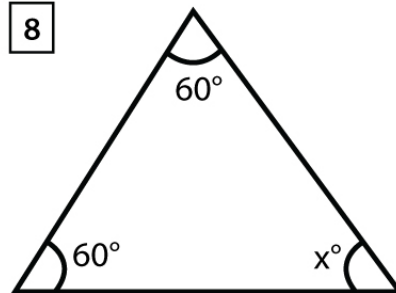
$x^\circ = \underline{\hspace{2cm}}$

7



$x^\circ = \underline{\hspace{2cm}}$

8



$x^\circ = \underline{\hspace{2cm}}$

Name : _____

Score : _____ Date : _____

Missing Angles in a Triangle Worksheet

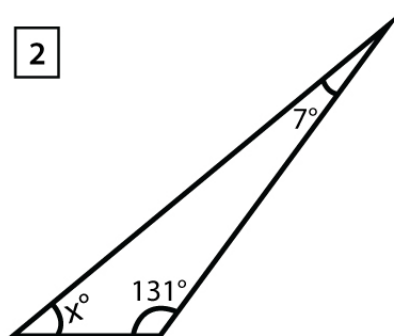
Answers

1



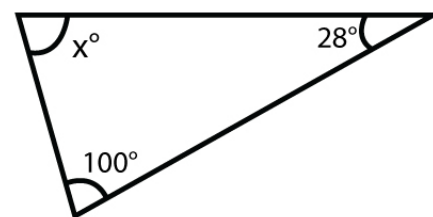
$x^\circ = 27^\circ$

2



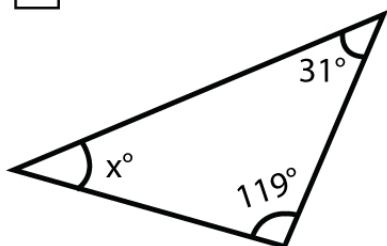
$x^\circ = 42^\circ$

3



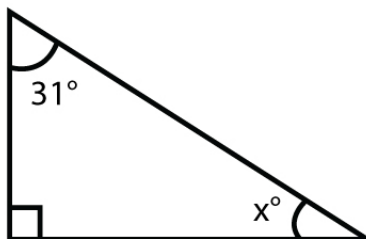
$x^\circ = 52^\circ$

4



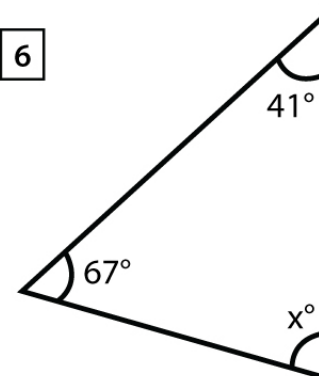
$x^\circ = 30^\circ$

5



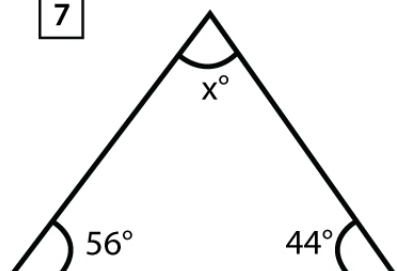
$x^\circ = 59^\circ$

6



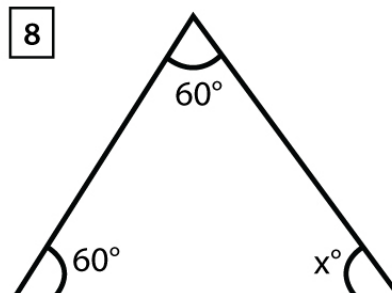
$x^\circ = 72^\circ$

7



$x^\circ = 80^\circ$

8



$x^\circ = 60^\circ$