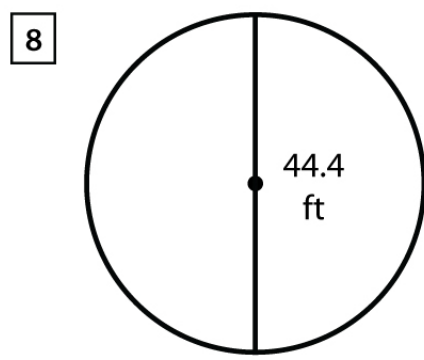
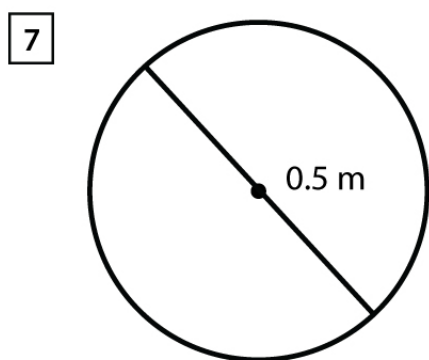
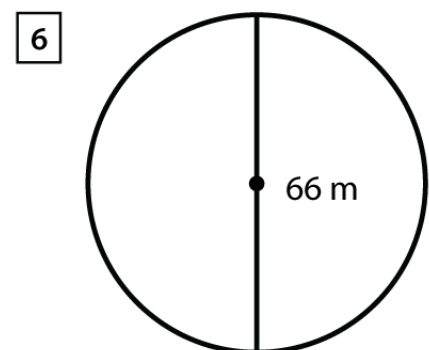
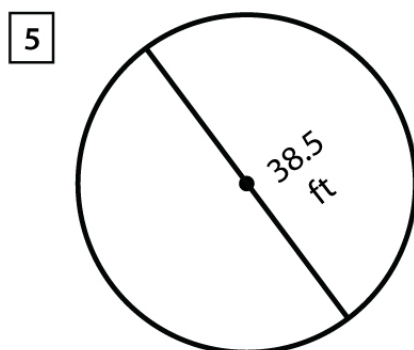
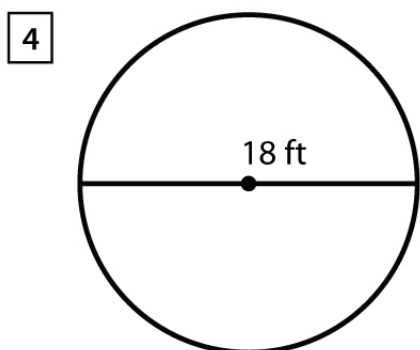
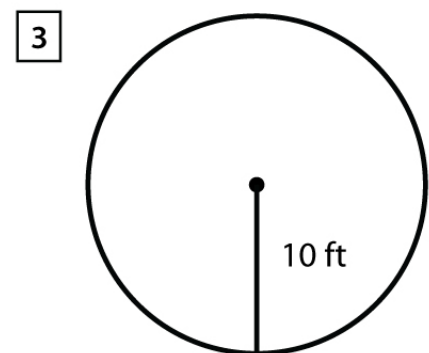
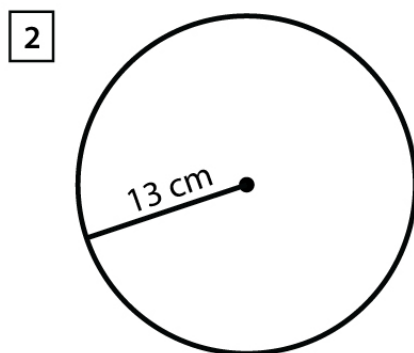
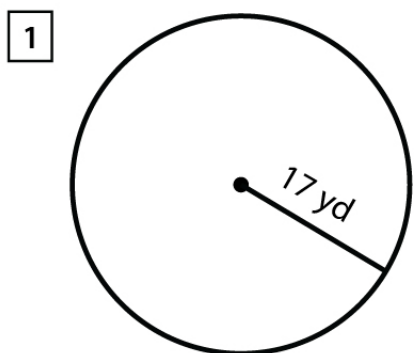


Name : \_\_\_\_\_

Score : \_\_\_\_\_ Date : \_\_\_\_\_

**Circumference of a Circle**

Calculate the circumference of each circle. Use  $\pi = 3.14$

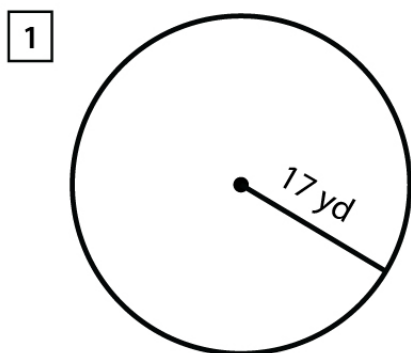


Name : \_\_\_\_\_

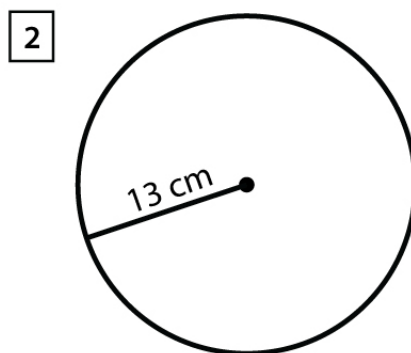
Score : \_\_\_\_\_ Date : \_\_\_\_\_

Circumference of a Circle

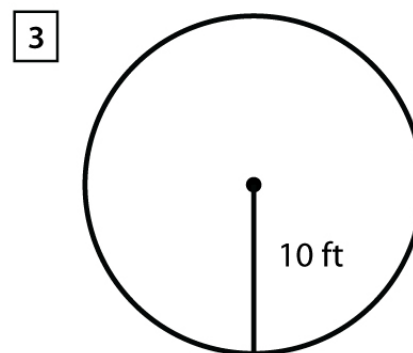
Answers



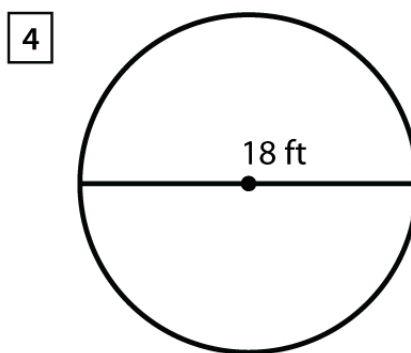
106.81 yd



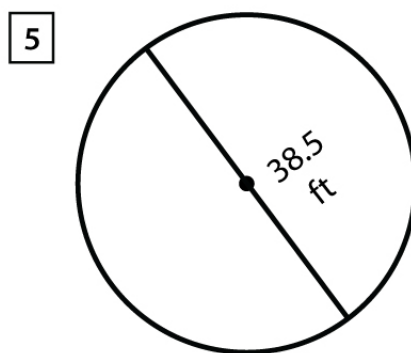
81.68 cm



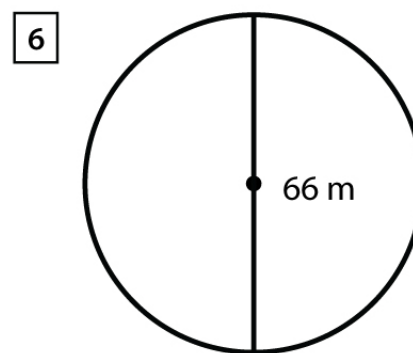
62.83 ft



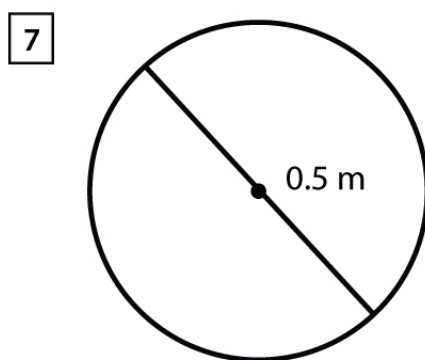
56.54 ft



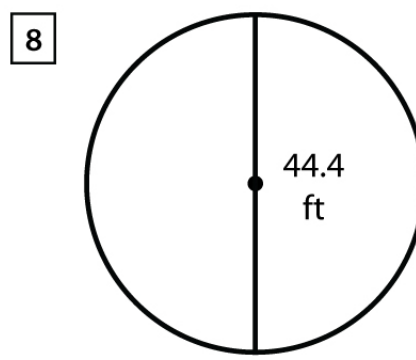
120.95 ft



207.34 m



1.57 m



139.48 ft