

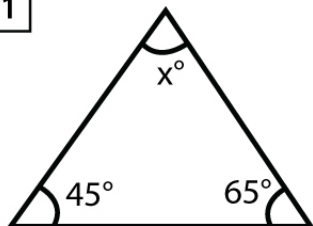
Name : _____

Score : _____ Date : _____

Angles in a Triangle Worksheet

Find the missing angles in the given triangles

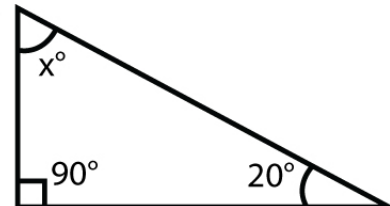
1



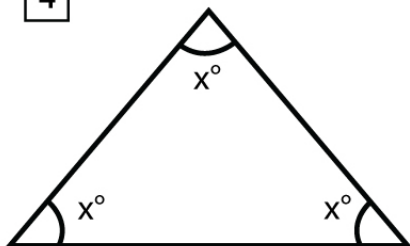
2



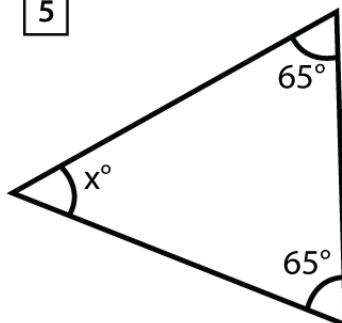
3



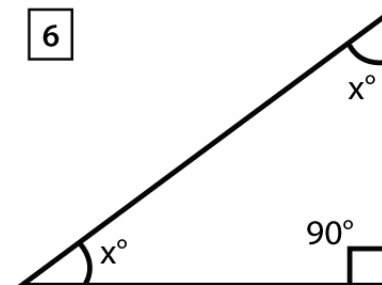
4



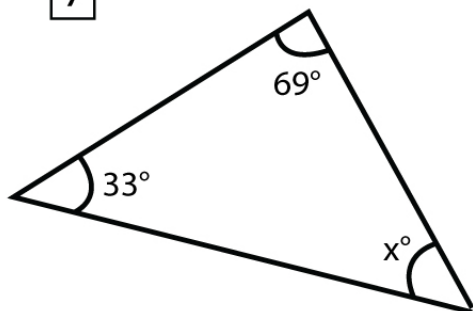
5



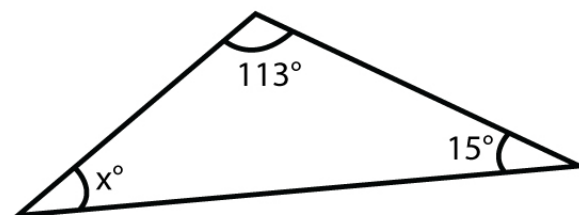
6



7



8



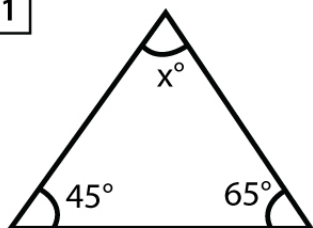
Name : _____

Score : _____ Date : _____

Angles in a Triangle Worksheet

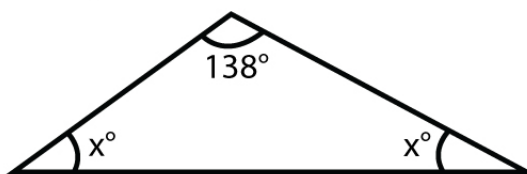
Answers

1



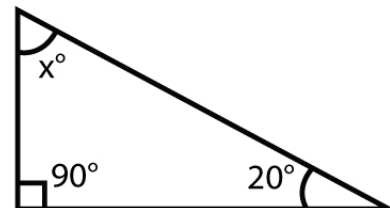
$x^\circ = 70^\circ$

2



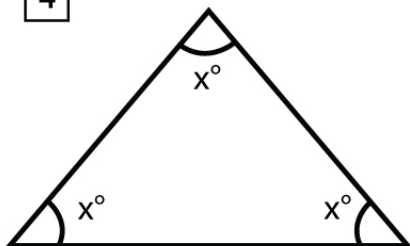
$x^\circ = 21^\circ$

3



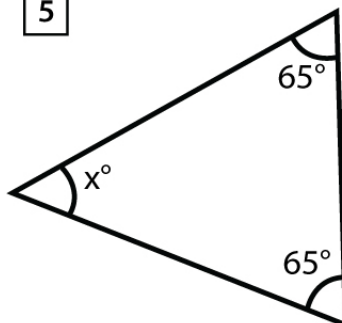
$x^\circ = 70^\circ$

4



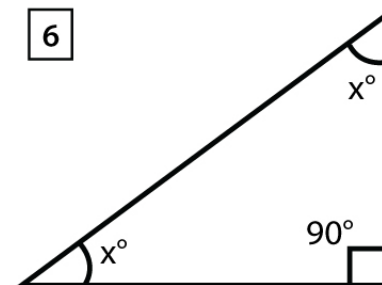
$x^\circ = 60^\circ$

5



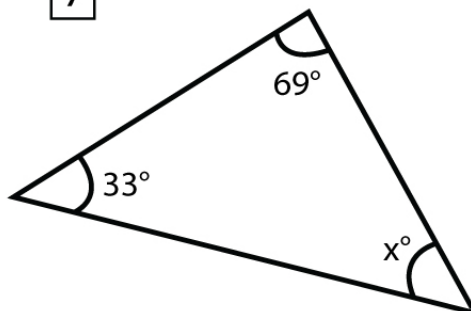
$x^\circ = 50^\circ$

6



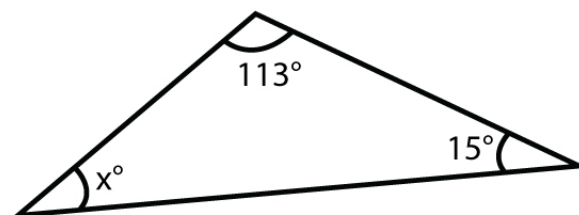
$x^\circ = 45^\circ$

7



$x^\circ = 78^\circ$

8



$x^\circ = 52^\circ$