

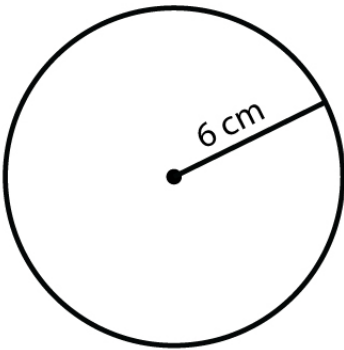
Name : _____

Score : _____ Date : _____

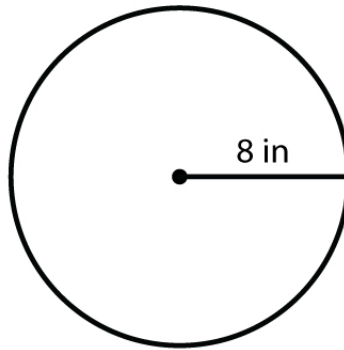
Area of a Circle

Calculate the area of each circle. Use $\pi = 3.14$

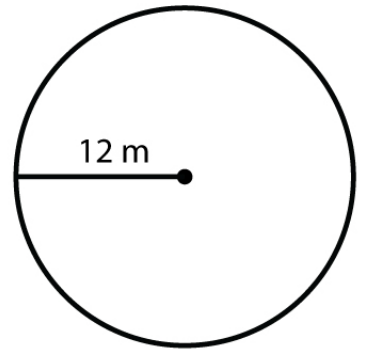
1



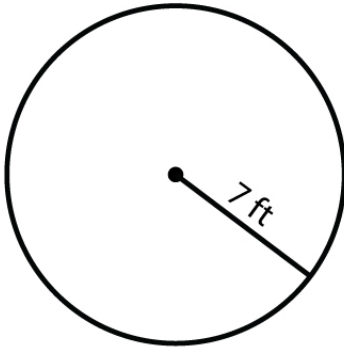
2



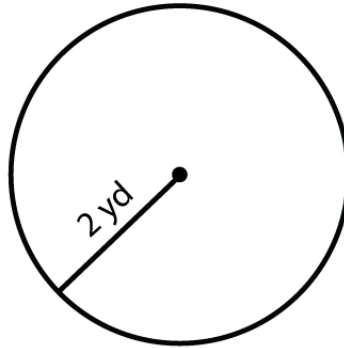
3



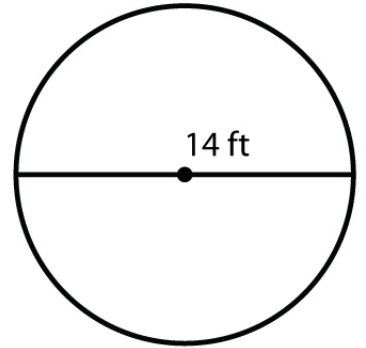
4



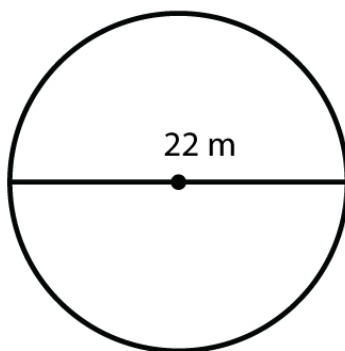
5



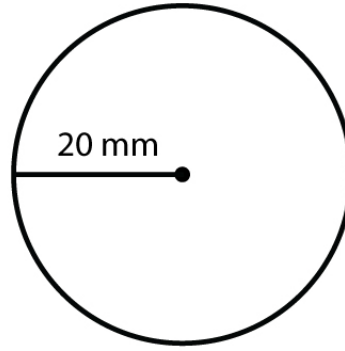
6



7



8

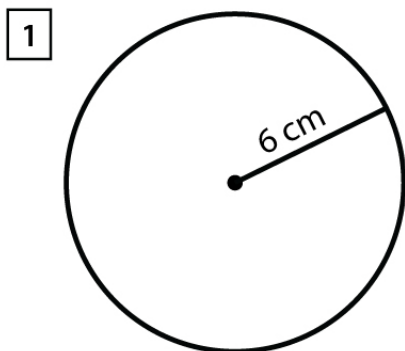


Name : _____

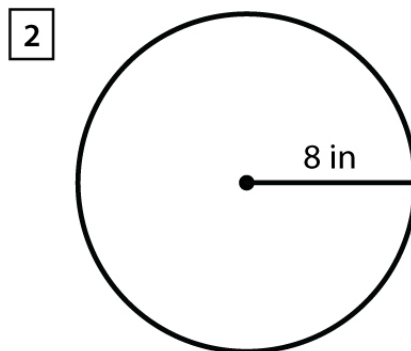
Score : _____ Date : _____

Area of a Circle

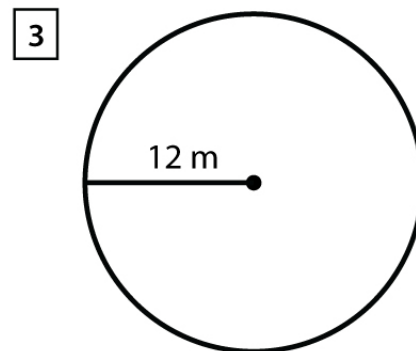
Answers



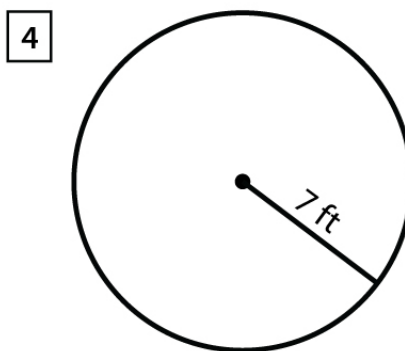
113.09 cm²



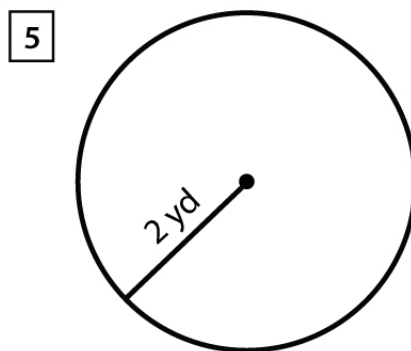
201.06 in²



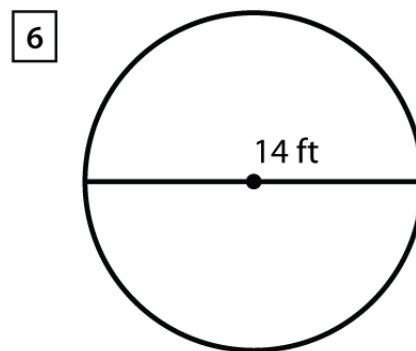
452.38 m²



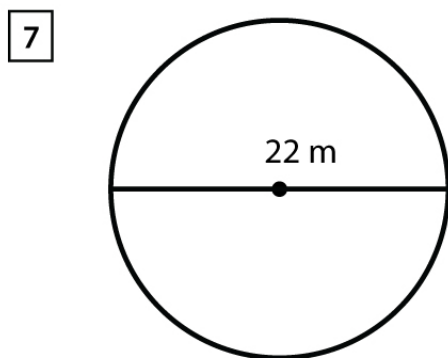
153.93 ft²



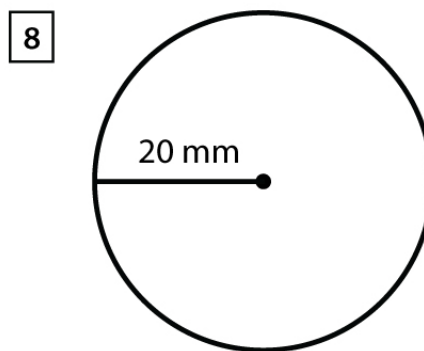
12.56 yd²



153.93 ft²



380.13 m²



1256.63 mm²