

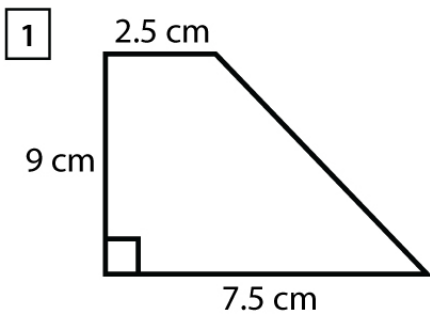
Name : _____

Score : _____ Date : _____

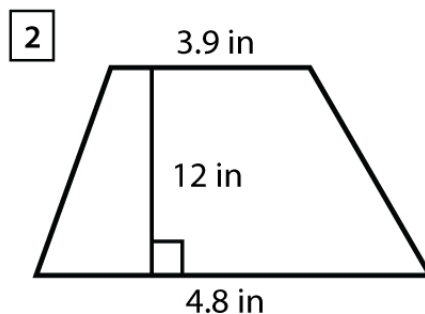
Finding the Area of each Trapezoid

Use Formula :

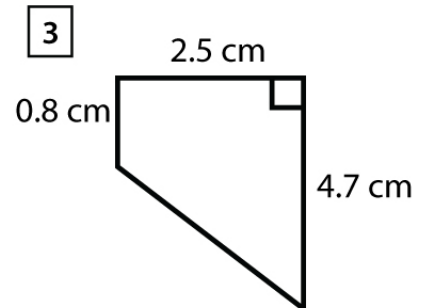
$$\text{Area} = \frac{1}{2} \times (\text{length1} + \text{length2}) \times \text{height}$$



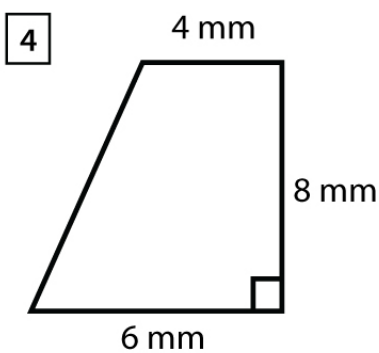
Area = _____



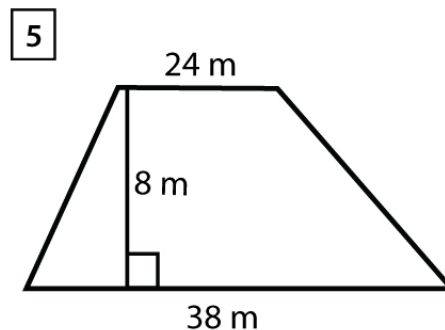
Area = _____



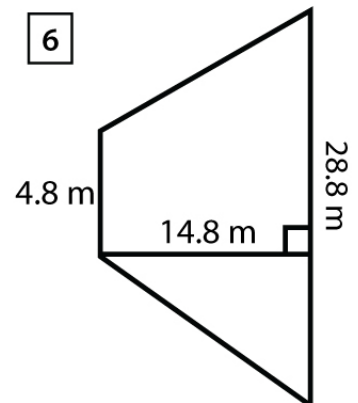
Area = _____



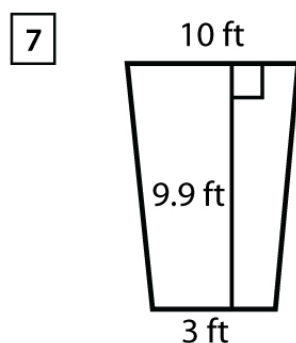
Area = _____



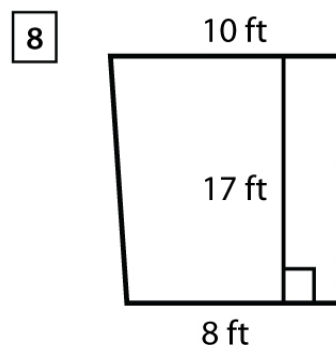
Area = _____



Area = _____



Area = _____



Area = _____

Name : _____

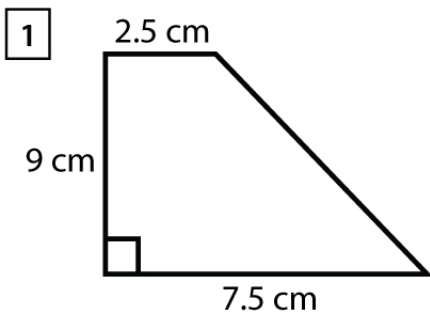
Score : _____ Date : _____

Finding the Area of each Trapezoid

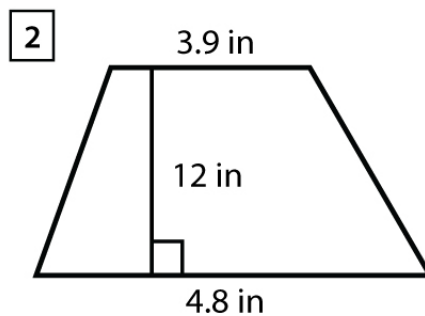
Answers

Use Formula :

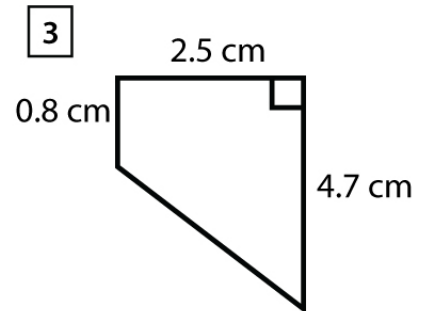
$$\text{Area} = \frac{1}{2} \times (\text{length1} + \text{length2}) \times \text{height}$$



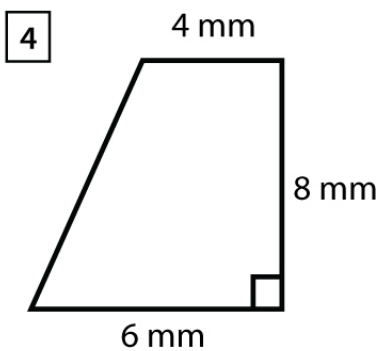
Area = 45 cm²



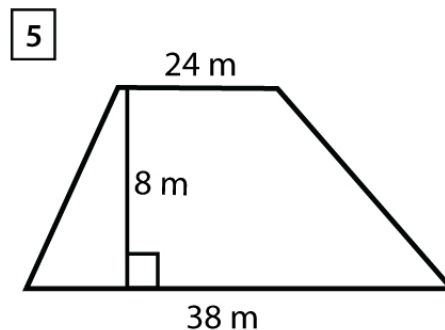
Area = 52.2 in²



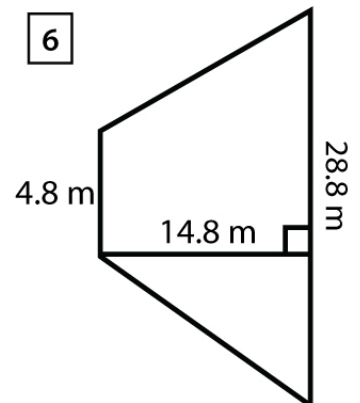
Area = 6.87 cm²



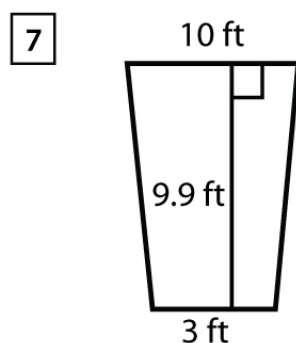
Area = 40 mm²



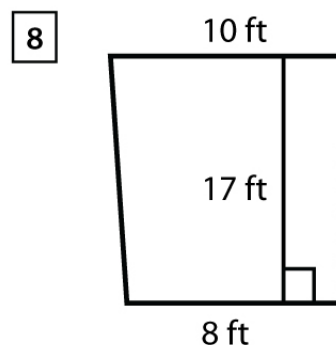
Area = 248 m²



Area = 248.64 m²



Area = 64.35 ft²



Area = 153 ft²