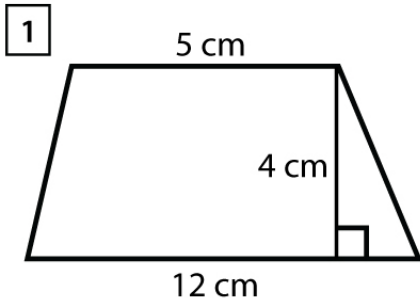


Name : _____

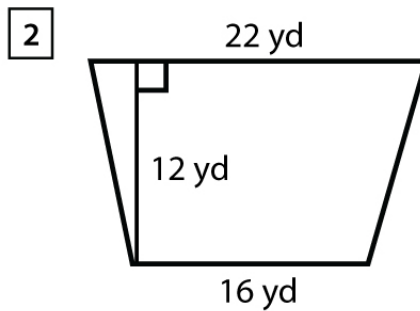
Score : _____ Date : _____

Area of Trapezoid Practice Worksheet

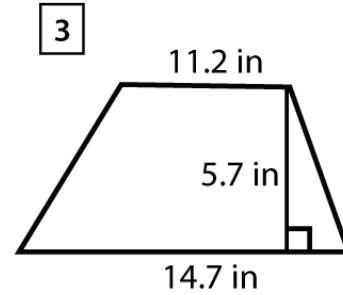
Find the area of the given trapezoid.



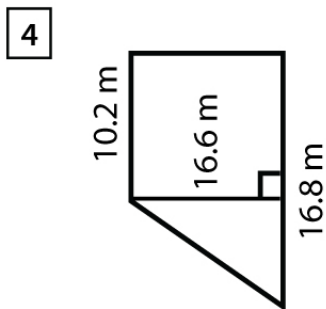
Area = _____



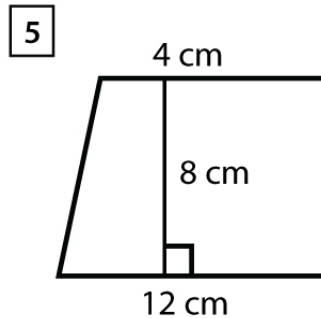
Area = _____



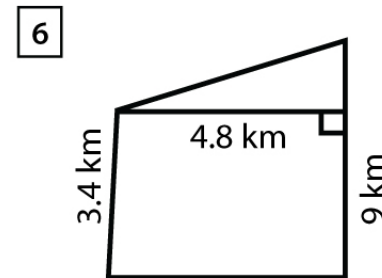
Area = _____



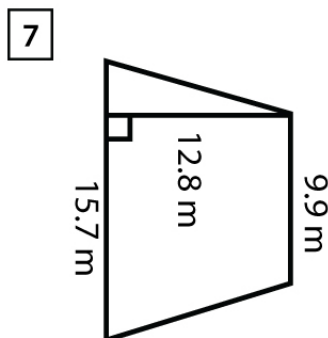
Area = _____



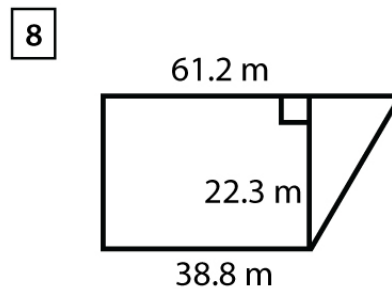
Area = _____



Area = _____



Area = _____



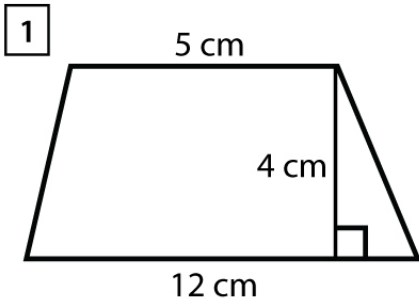
Area = _____

Name : _____

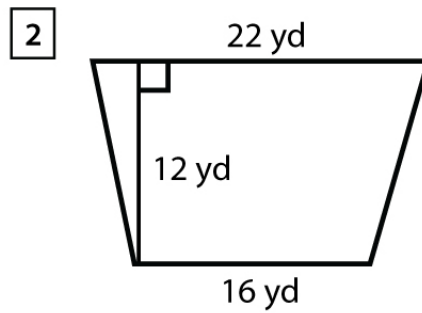
Score : _____ Date : _____

Area of Trapezoid Practice Worksheet

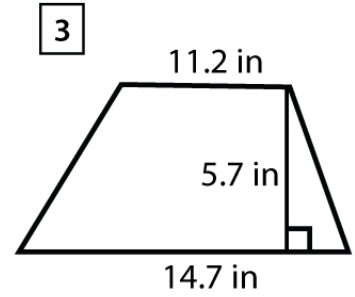
Answers



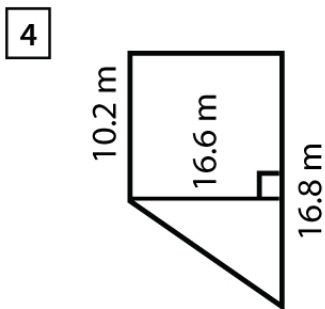
Area = 34 cm²



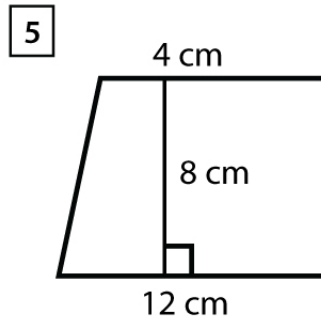
Area = 228 yd²



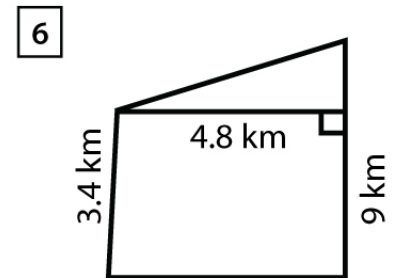
Area = 73.81 in²



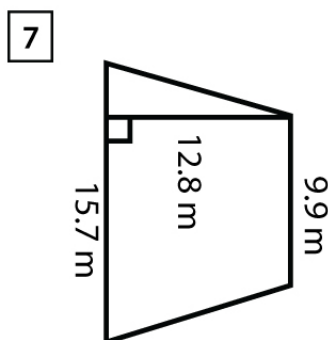
Area = 224.1 m²



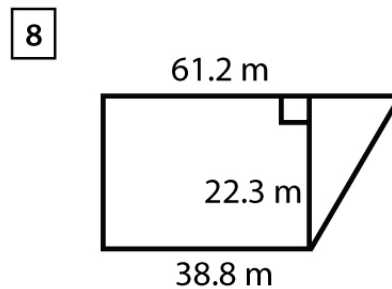
Area = 64 cm²



Area = 29.76 km²



Area = 163.84 m²



Area = 1,115 m²