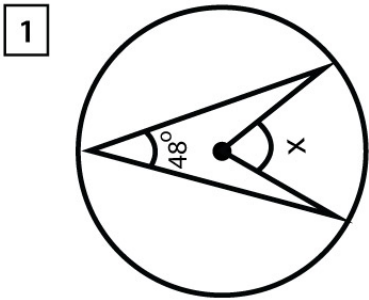


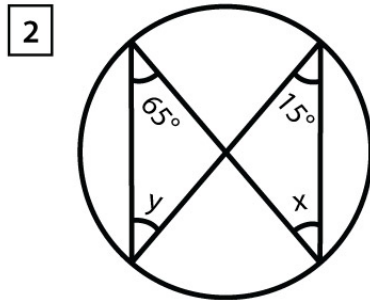
Name : _____

Score : _____ Date : _____

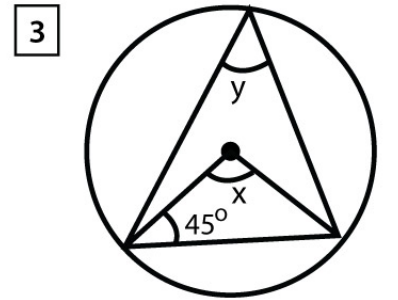
Interior Angles in Circles



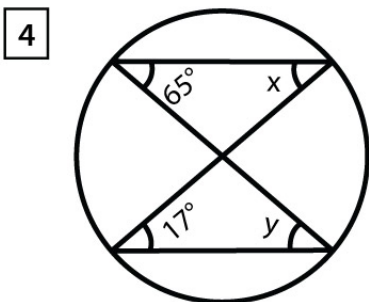
$x = \underline{\hspace{2cm}}$



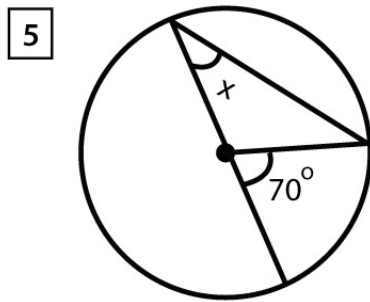
$x = \underline{\hspace{2cm}}, y = \underline{\hspace{2cm}}$



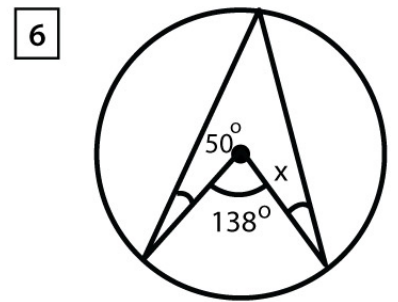
$x = \underline{\hspace{2cm}}, y = \underline{\hspace{2cm}}$



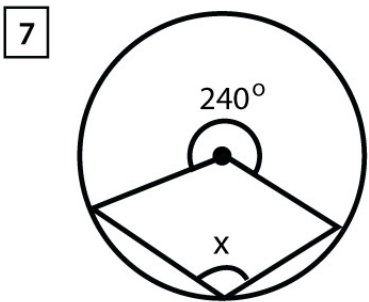
$x = \underline{\hspace{2cm}}, y = \underline{\hspace{2cm}}$



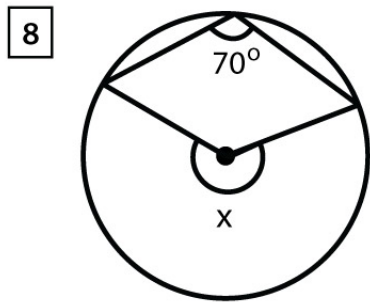
$x = \underline{\hspace{2cm}}$



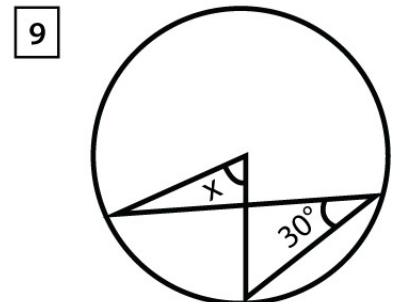
$x = \underline{\hspace{2cm}}$



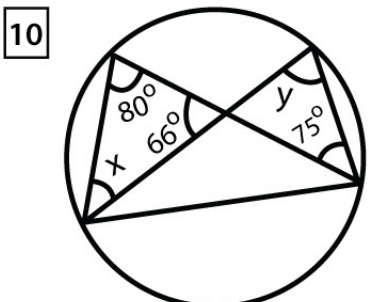
$x = \underline{\hspace{2cm}}$



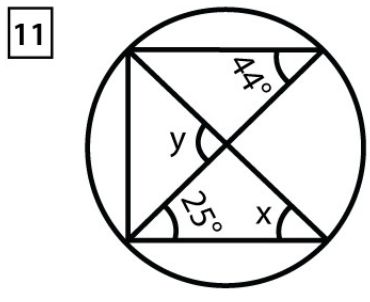
$x = \underline{\hspace{2cm}}$



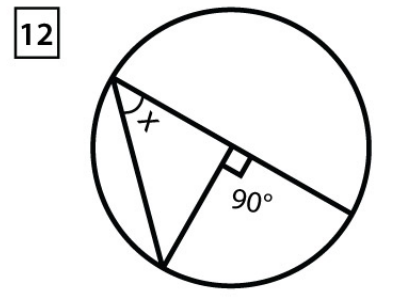
$x = \underline{\hspace{2cm}}$



$x = \underline{\hspace{2cm}}, y = \underline{\hspace{2cm}}$



$x = \underline{\hspace{2cm}}, y = \underline{\hspace{2cm}}$



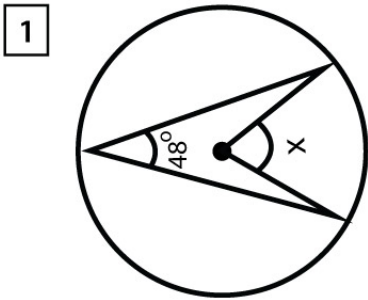
$x = \underline{\hspace{2cm}}$

Name : _____

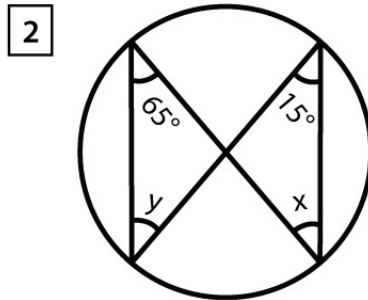
Score : _____ Date : _____

Interior Angles in Circles

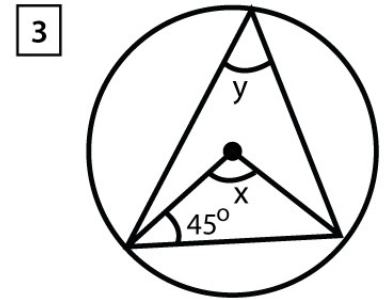
Answers



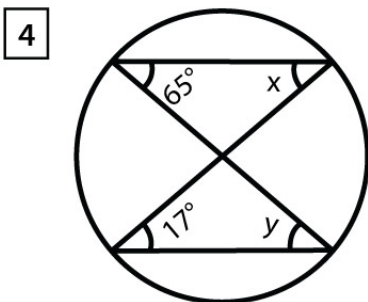
$x = 96^\circ$



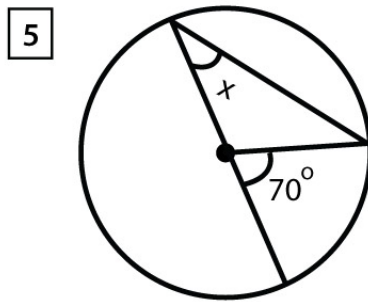
$x = 15^\circ, y = 65^\circ$



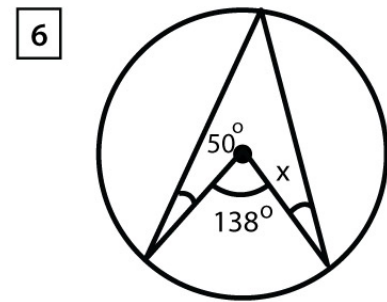
$x = 90^\circ, y = 45^\circ$



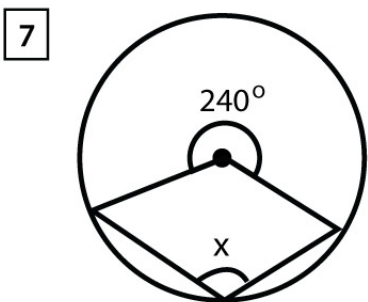
$x = 65^\circ, y = 17^\circ$



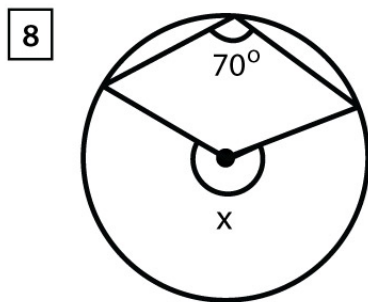
$x = 35^\circ$



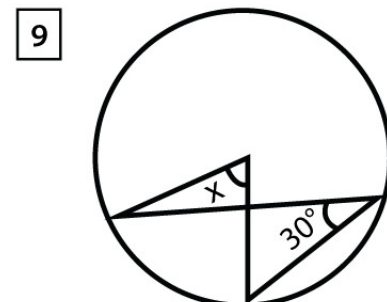
$x = 19^\circ$



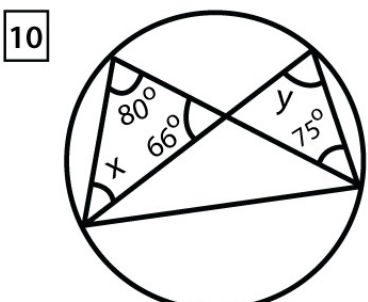
$x = 120^\circ$



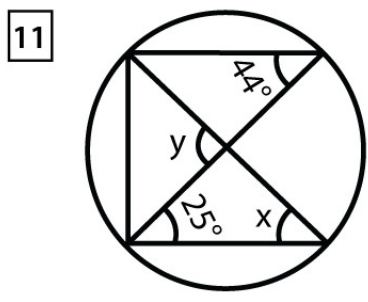
$x = 140^\circ$



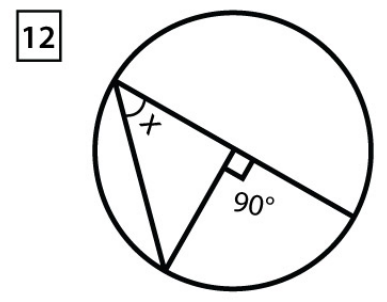
$x = 60^\circ$



$x = 34^\circ, y = 39^\circ$



$x = 25^\circ, y = 88^\circ$



$x = 45^\circ$