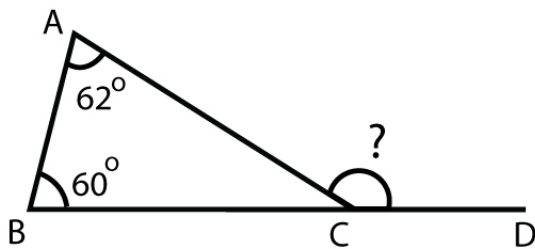


Name : _____

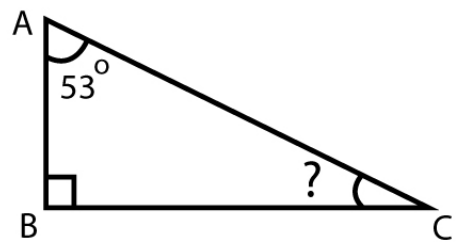
Score : _____ Date : _____

Properties of Triangle- Worksheet

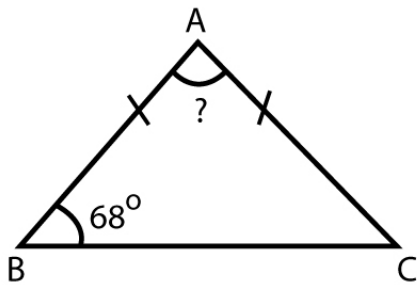
- 1 Find the value of the missing angle in $\triangle ABC$



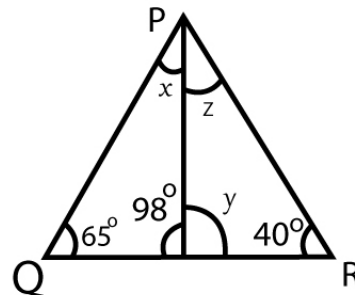
- 2 In the given right-angle triangle find the missing angle



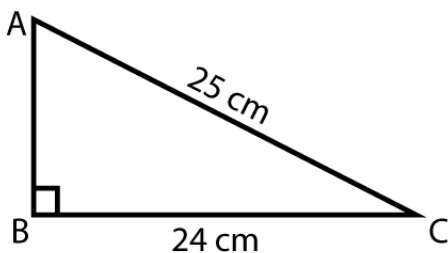
- 3 In $\triangle ABC$, find $\angle CAB$



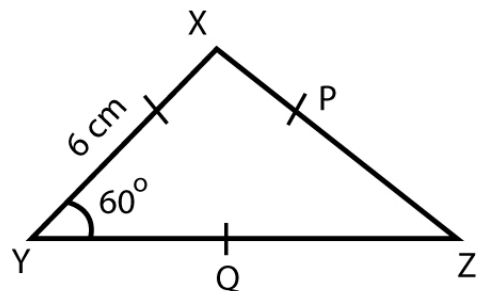
- 4 In $\triangle PQR$, find the value of x, y and z



- 5 In $\triangle ABC$, find the value of AB



- 6 In $\triangle XYZ$, find the value of P, Q and $\angle YXZ, \angle XZY$



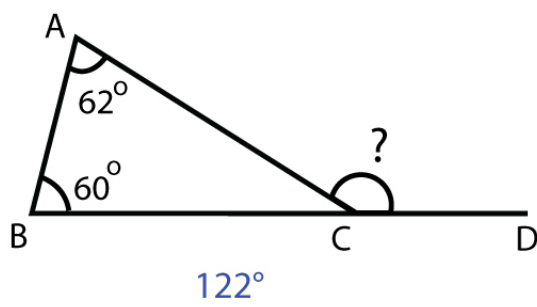
Name : _____

Score : _____ Date : _____

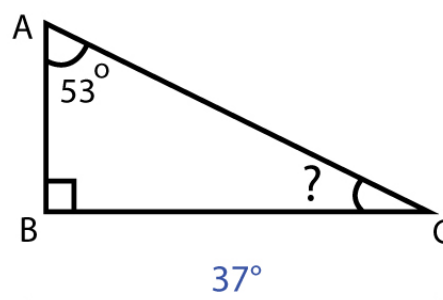
Properties of Triangle- Worksheet

Answers

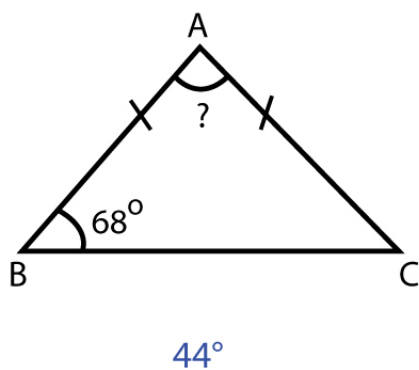
- 1** Find the value of the missing angle in $\triangle ABC$



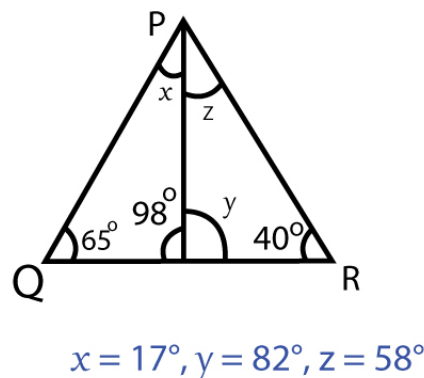
- 2** In the given right-angle triangle find the missing angle



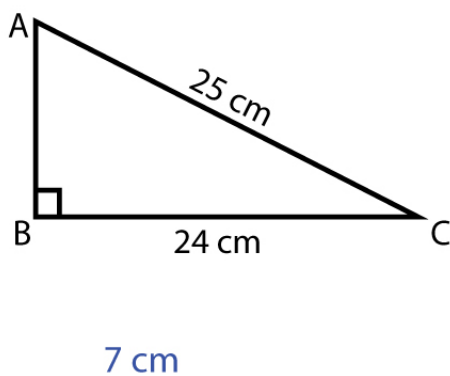
- 3** In $\triangle ABC$, find $\angle CAB$



- 4** In $\triangle PQR$, find the value of x, y and z



- 5** In $\triangle ABC$, find the value of AB



- 6** In $\triangle ABC$, find the value of P, Q and $\angle YXZ, \angle XZY$

