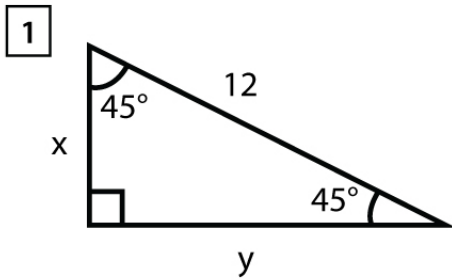


Name : \_\_\_\_\_

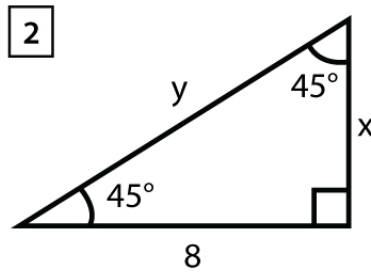
Score : \_\_\_\_\_ Date : \_\_\_\_\_

Special Right Triangle -  $45^\circ$ -  $45^\circ$ -  $90^\circ$  Worksheet

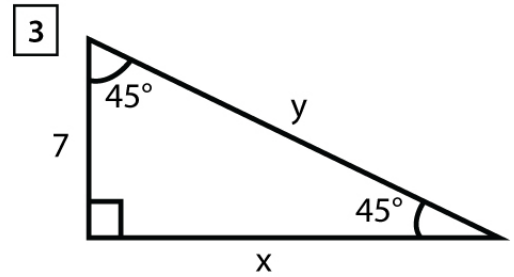
Find the value of x and y in each given triangles



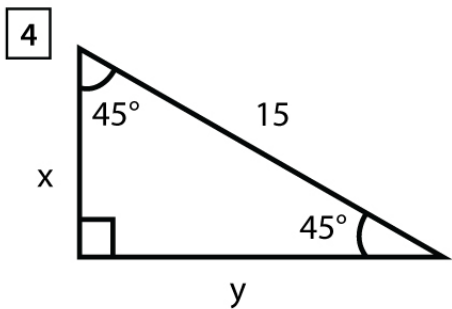
x = , y =



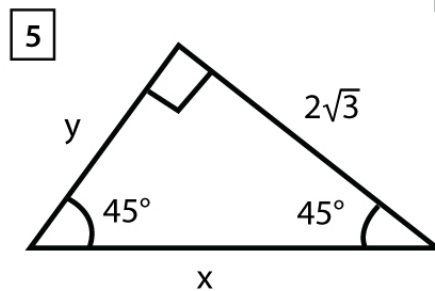
x = , y =



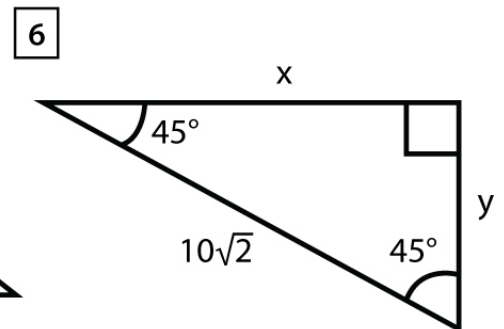
x = , y =



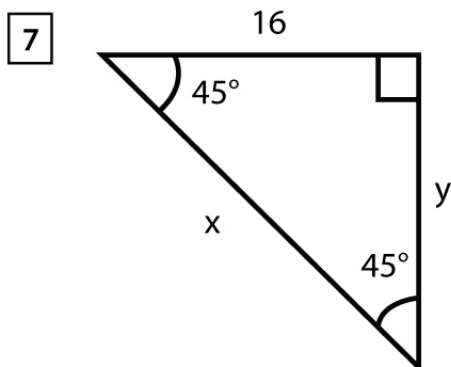
x = , y =



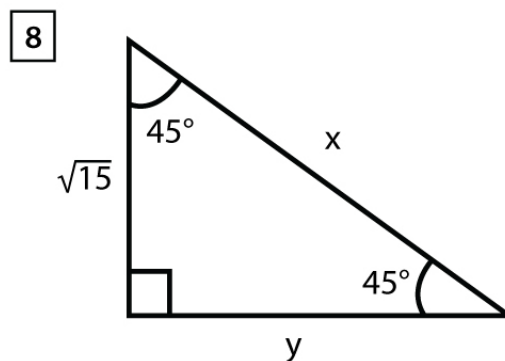
x = , y =



x = , y =



x = , y =



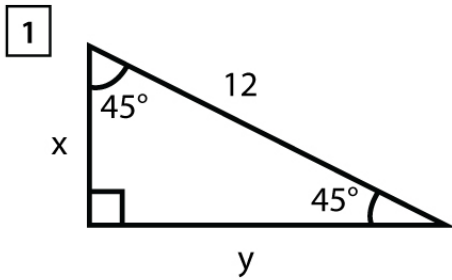
x = , y =

Name : \_\_\_\_\_

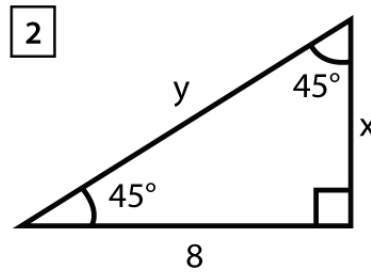
Score : \_\_\_\_\_ Date : \_\_\_\_\_

Special Right Triangle - 45°- 45°- 90° Worksheet

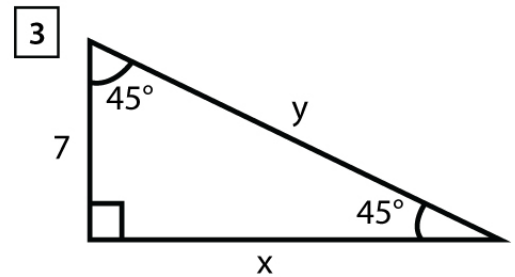
Answers



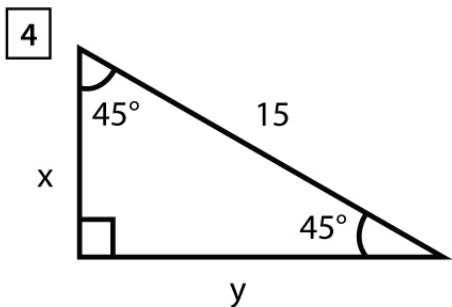
$x = 6\sqrt{2}$  ,  $y = 6\sqrt{2}$



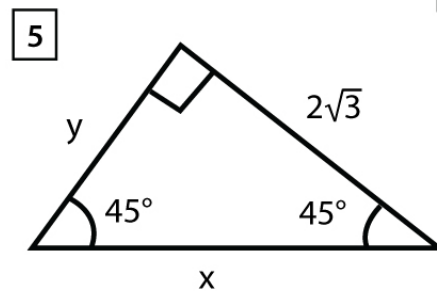
$x = 8$  ,  $y = 8\sqrt{2}$



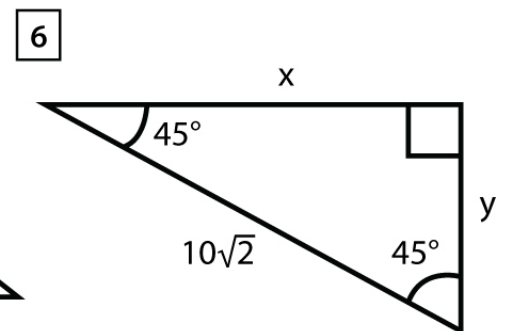
$x = 7$  ,  $y = 7\sqrt{2}$



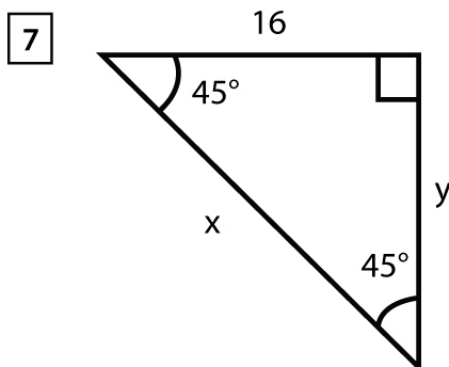
$x = \frac{15\sqrt{2}}{2}$  ,  $y = \frac{15\sqrt{2}}{2}$



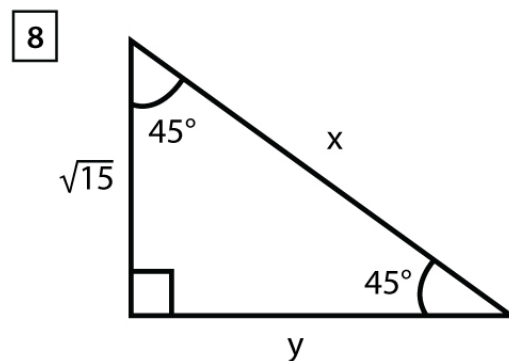
$x = 4$  ,  $y = 2\sqrt{3}$



$x = 10$  ,  $y = 10$



$x = 16\sqrt{2}$  ,  $y = 16$



$x = \sqrt{30}$  ,  $y = \sqrt{15}$