

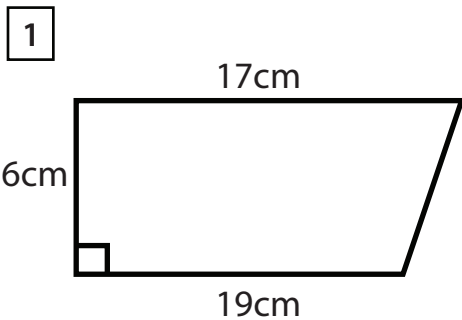
Name : \_\_\_\_\_

Score : \_\_\_\_\_ Date : \_\_\_\_\_

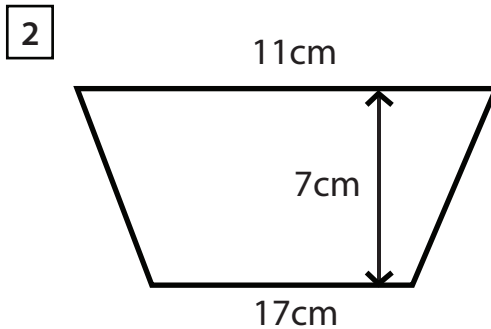
**Trapezoid Area Worksheet**

Find the area of the trapezoid.

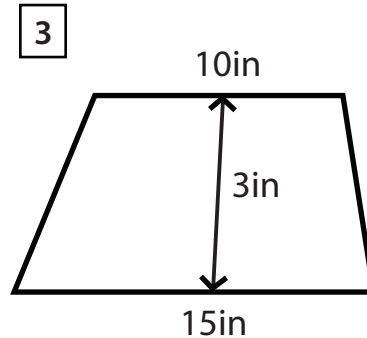
Use formula :  $\text{Area} = \frac{1}{2} \times (\text{length 1} + \text{length 2}) \times \text{height}$



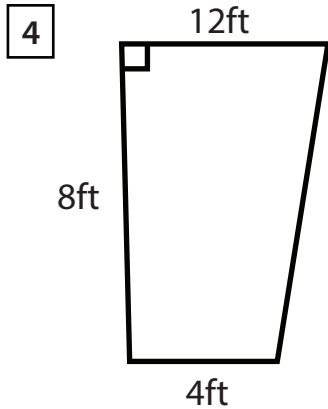
Area = \_\_\_\_\_  $\text{cm}^2$



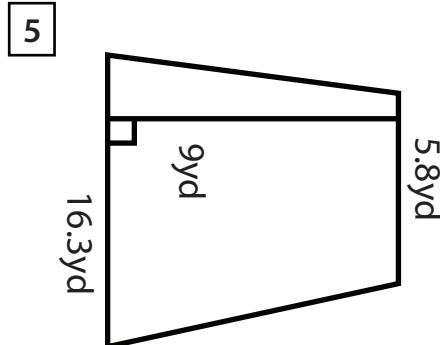
Area = \_\_\_\_\_  $\text{cm}^2$



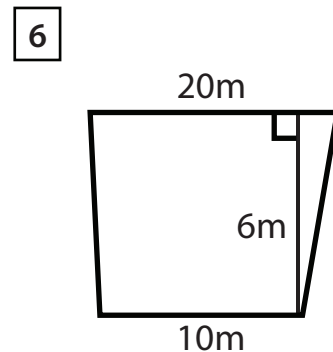
Area = \_\_\_\_\_  $\text{in}^2$



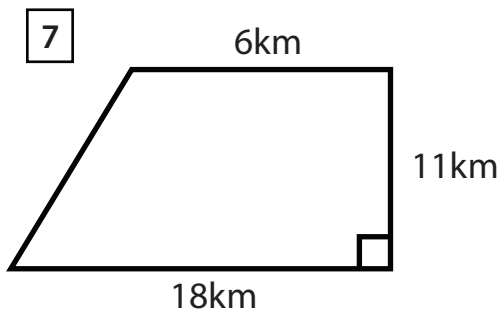
Area = \_\_\_\_\_  $\text{ft}^2$



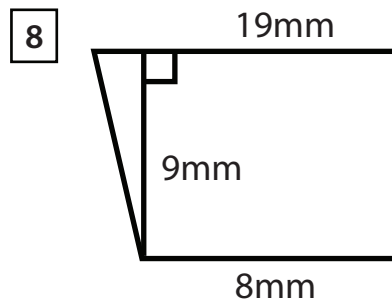
Area = \_\_\_\_\_  $\text{yd}^2$



Area = \_\_\_\_\_  $\text{m}^2$



Area = \_\_\_\_\_  $\text{km}^2$



Area = \_\_\_\_\_  $\text{mm}^2$