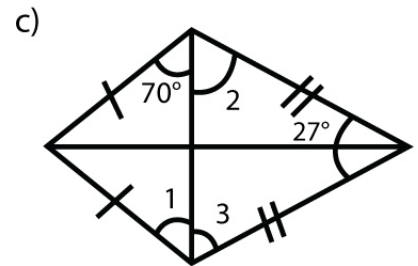
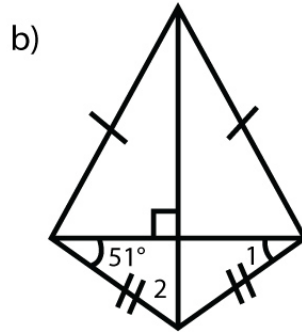
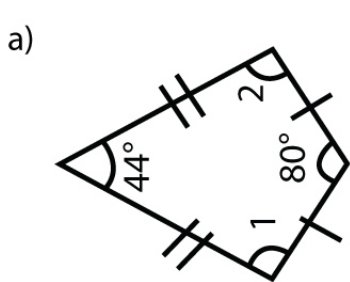


Name : \_\_\_\_\_

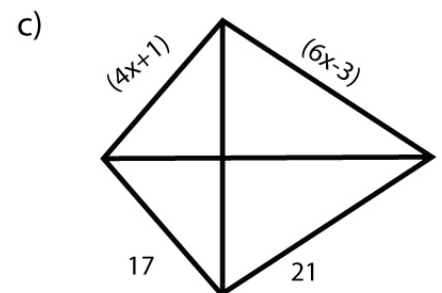
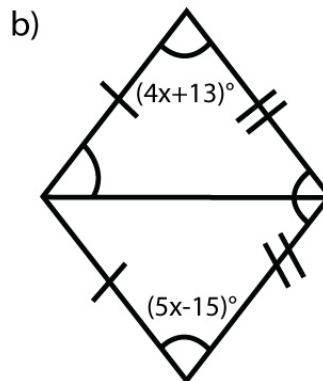
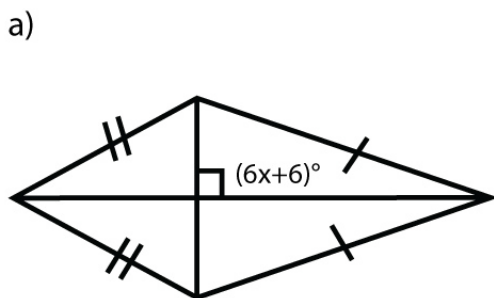
Score : \_\_\_\_\_ Date : \_\_\_\_\_

Trapezoid and Kite Worksheet

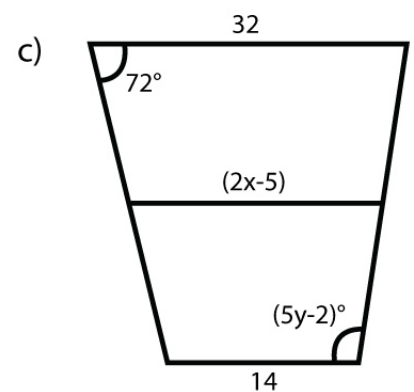
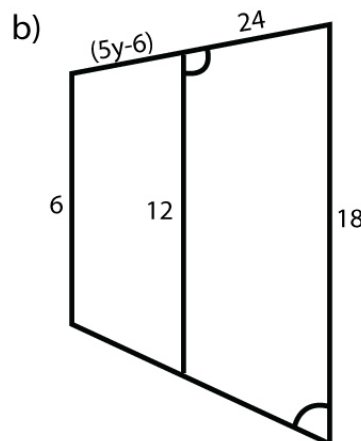
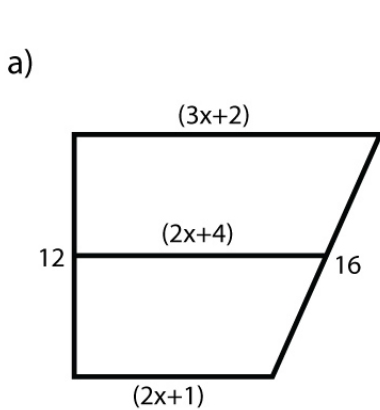
**1** Find the measure of the numbered angles in each kite



**2** Find the measure of the unknown variable(s) in each kite.



**3** Find the measure of the unknown variable(s) in each trapezoid.



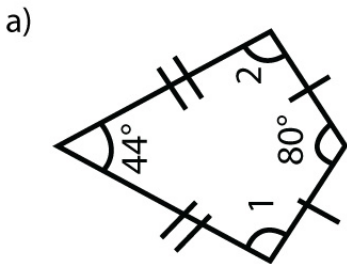
Name : \_\_\_\_\_

Score : \_\_\_\_\_ Date : \_\_\_\_\_

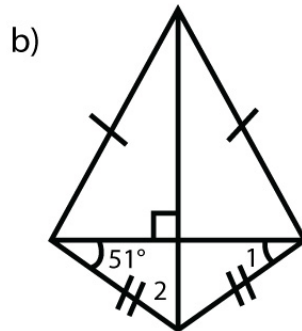
Trapezoid and Kite Worksheet

Answers

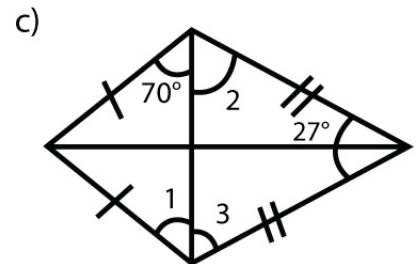
**1** Find the measure of the numbered angles in each kite



$\angle 1 = 118^\circ, \angle 2 = 118^\circ$

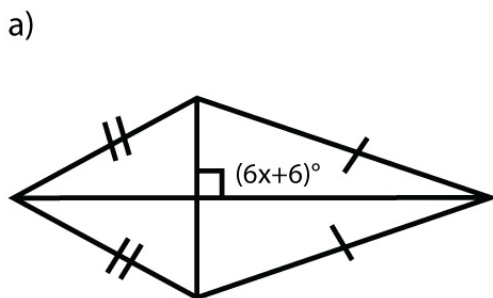


$\angle 1 = 51^\circ, \angle 2 = 78^\circ$

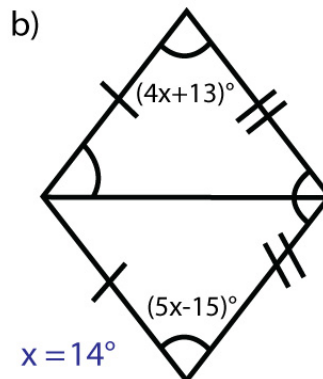


$\angle 1 = 70^\circ, \angle 2 = 76.5^\circ$   
 $\angle 3 = 76.5^\circ$

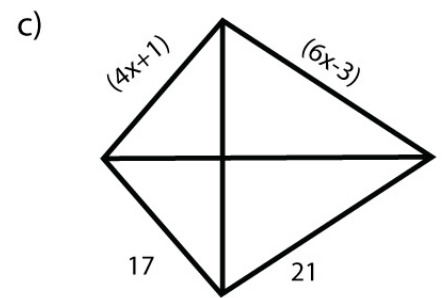
**2** Find the measure of the unknown variable(s) in each kite.



$x = 14^\circ$

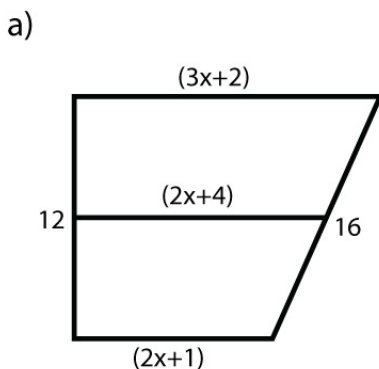


$x = 14^\circ$

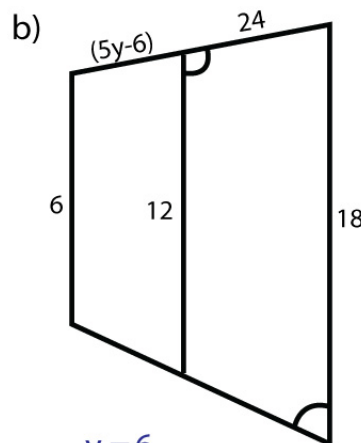


$x = 4$

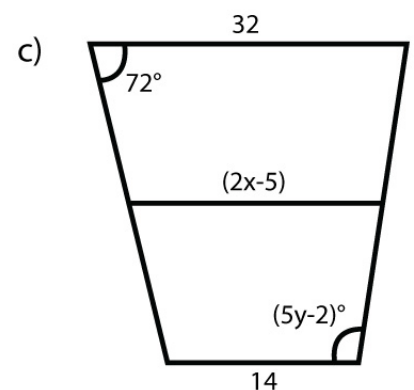
**3** Find the measure of the unknown variable(s) in each trapezoid.



$x = 5$



$y = 6$



$x = 14$   
 $y = 22^\circ$