

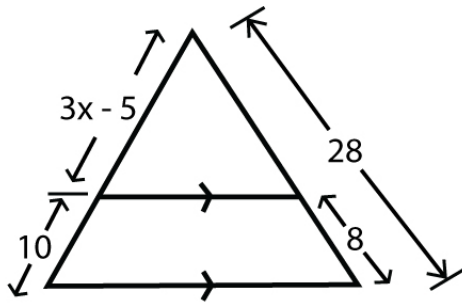
Name : \_\_\_\_\_

Score : \_\_\_\_\_ Date : \_\_\_\_\_

**Triangle Proportionality Theorems Worksheet**

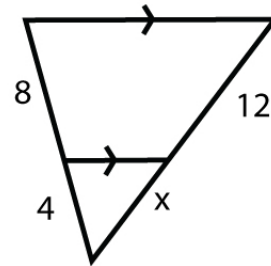
Using the proportionality theorems, find the value of 'x'

1



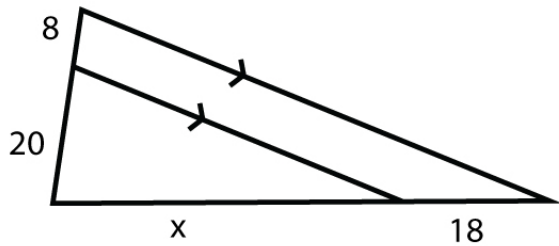
x = \_\_\_\_\_

2



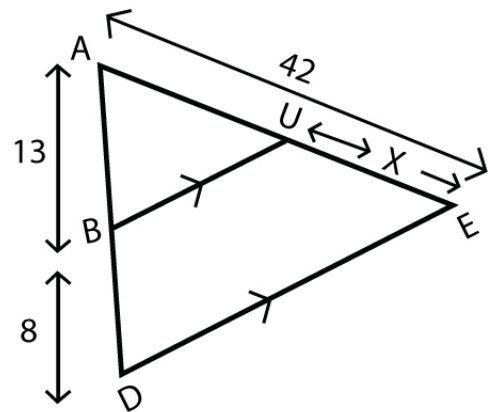
x = \_\_\_\_\_

3



x = \_\_\_\_\_

4



x = \_\_\_\_\_

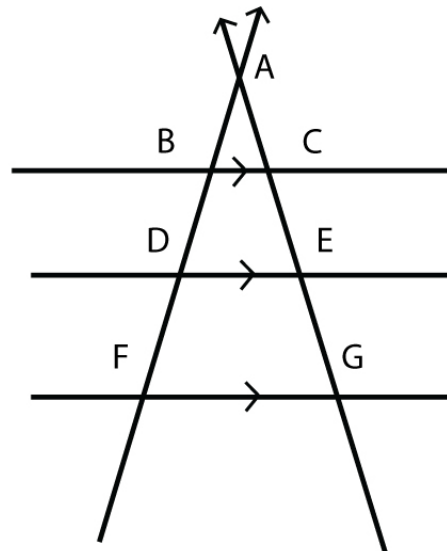
5 Use the figure to complete the proportion

1)  $\frac{AB}{BD} = \frac{\quad}{CE}$

2)  $\frac{FD}{DB} = \frac{\quad}{EC}$

3)  $\frac{BC}{DE} = \frac{AC}{\quad}$

4)  $\frac{FG}{BC} = \frac{AG}{\quad}$



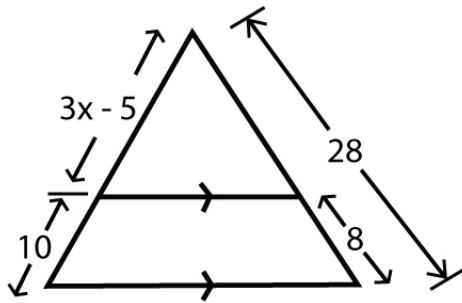
Name : \_\_\_\_\_

Score : \_\_\_\_\_ Date : \_\_\_\_\_

Triangle Proportionality Theorems Worksheet

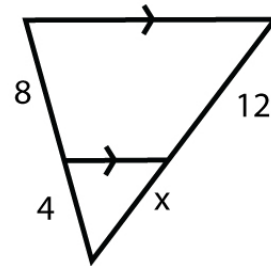
Answers

1



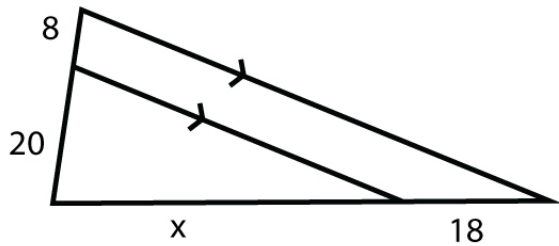
$x = 10$

2



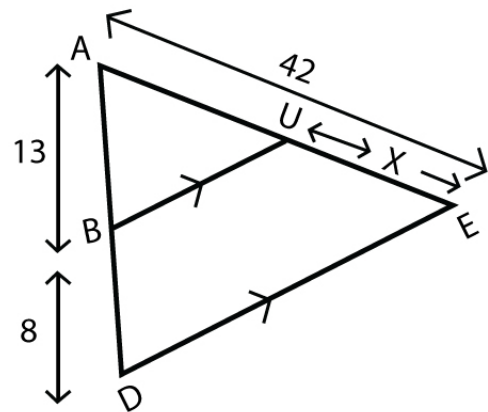
$x = 6$

3



$x = 45$

4



$x = 16$

5

1)  $\frac{AB}{BD} = \frac{AC}{CE}$

2)  $\frac{FD}{DB} = \frac{GE}{EC}$

3)  $\frac{BC}{DE} = \frac{AC}{AB}$

4)  $\frac{FG}{BC} = \frac{AG}{AF}$

