

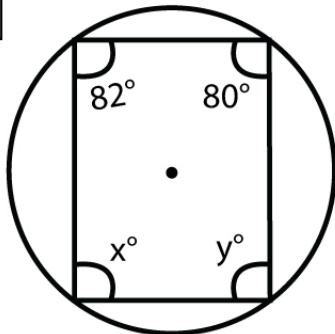
Name : _____

Score : _____ Date : _____

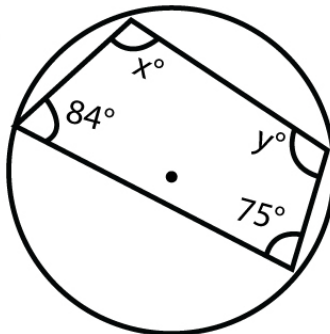
Angles in a Cyclic Quadrilateral Worksheet

Find the missing angle(s) in each cyclic quadrilaterals

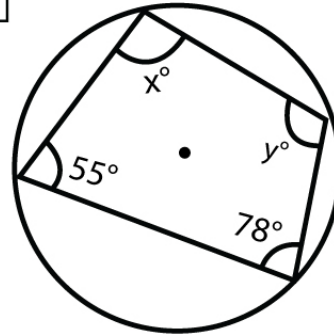
1



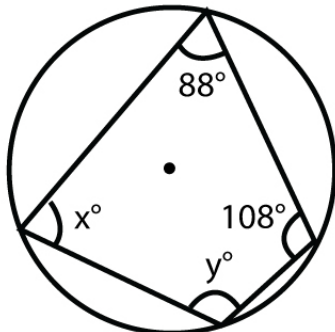
2



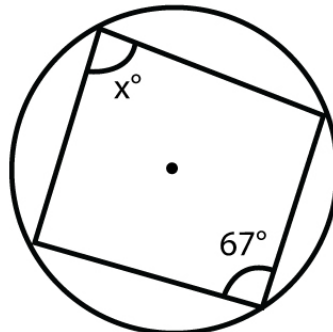
3



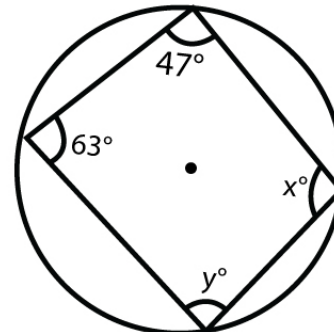
4



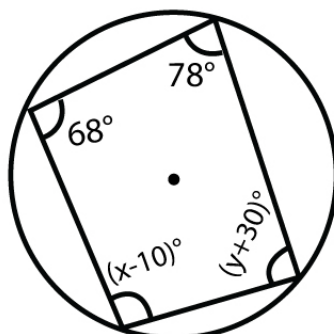
5



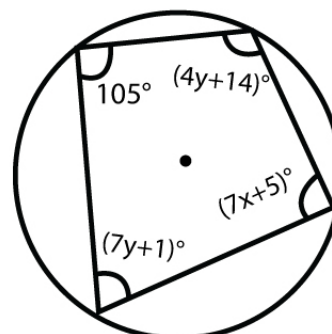
6



7



8



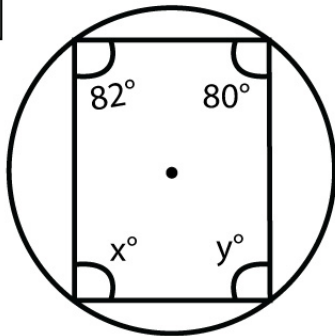
Name : _____

Score : _____ Date : _____

Angles in a Cyclic Quadrilateral Worksheet

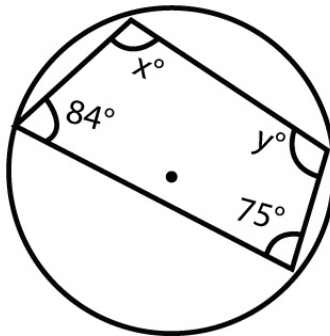
Answers

1



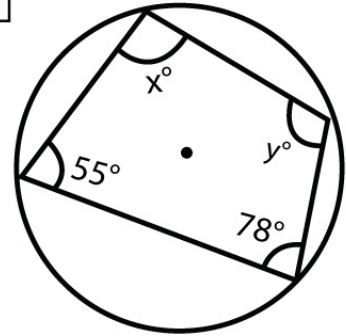
$x^\circ = 100^\circ, y^\circ = 98^\circ$

2



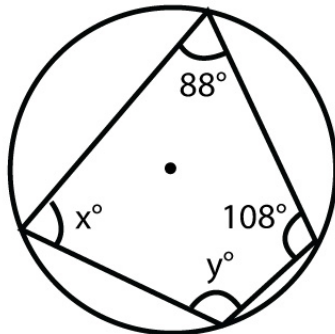
$x^\circ = 105^\circ, y^\circ = 96^\circ$

3



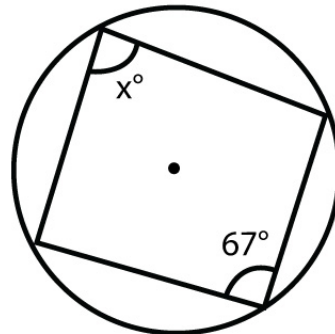
$x^\circ = 102^\circ, y^\circ = 125^\circ$

4



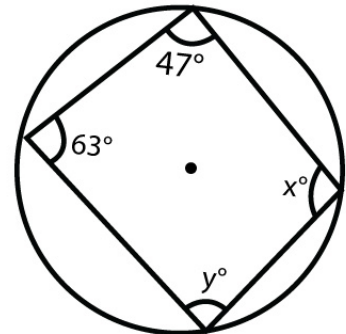
$x^\circ = 72^\circ, y^\circ = 92^\circ$

5



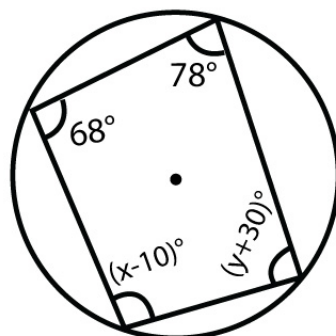
$x^\circ = 113^\circ$

6



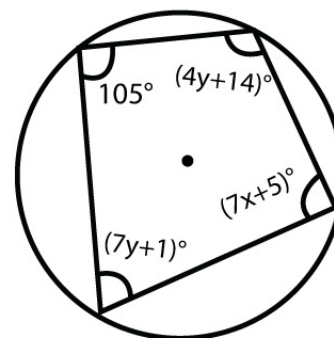
$x^\circ = 117^\circ, y^\circ = 133^\circ$

7



$102^\circ, 112^\circ$

8



$106^\circ, 74^\circ, 75^\circ$