

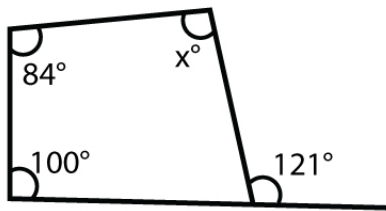
Name : _____

Score : _____ Date : _____

Interior and Exterior angles of Polygons Worksheet

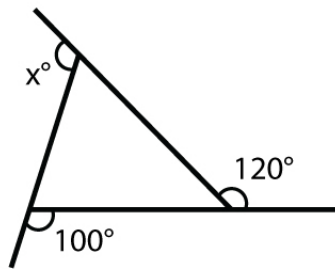
Find the missing interior and exterior angles of the given polygons

1



$x^\circ = \underline{\hspace{2cm}}$

2



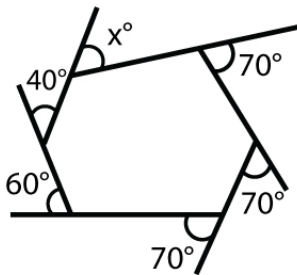
$x^\circ = \underline{\hspace{2cm}}$

3



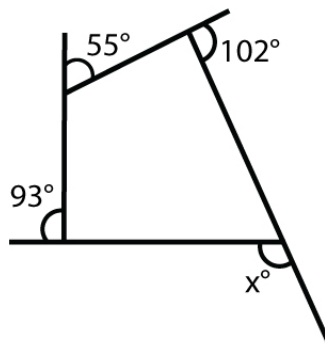
$x^\circ = \underline{\hspace{2cm}}$

4



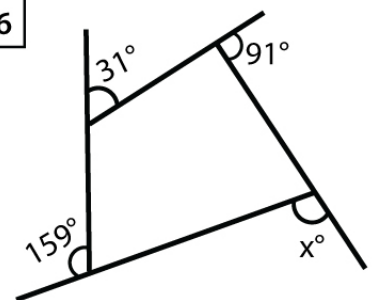
$x^\circ = \underline{\hspace{2cm}}$

5



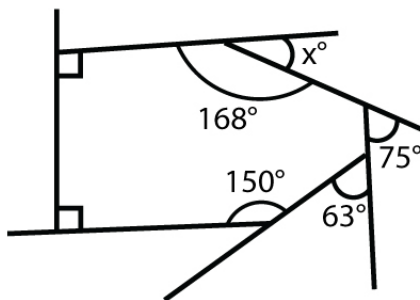
$x^\circ = \underline{\hspace{2cm}}$

6



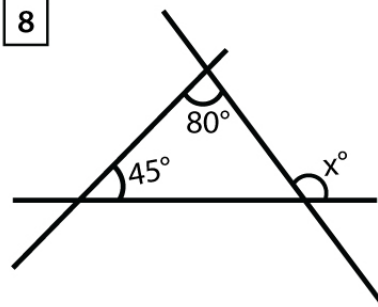
$x^\circ = \underline{\hspace{2cm}}$

7



$x^\circ = \underline{\hspace{2cm}}$

8



$x^\circ = \underline{\hspace{2cm}}$

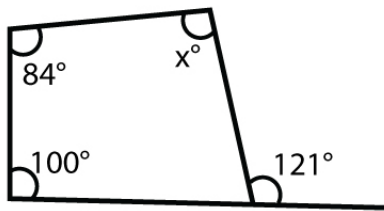
Name : _____

Score : _____ Date : _____

Interior and Exterior angles of Polygons Worksheet

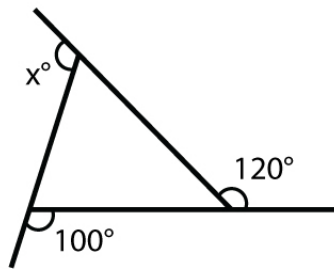
Answers

1



$x^\circ = \underline{117^\circ}$

2



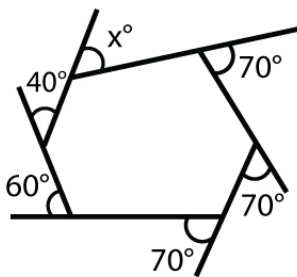
$x^\circ = \underline{140^\circ}$

3



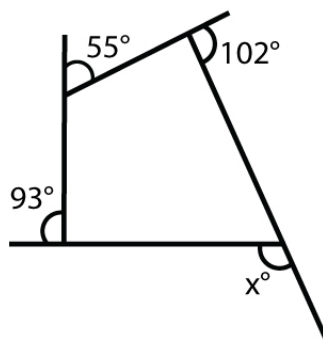
$x^\circ = \underline{105^\circ}$

4



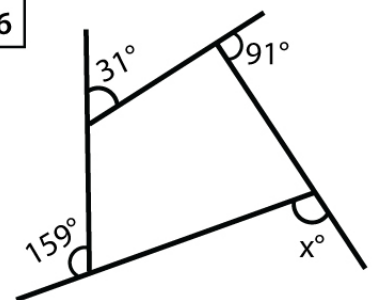
$x^\circ = \underline{50^\circ}$

5



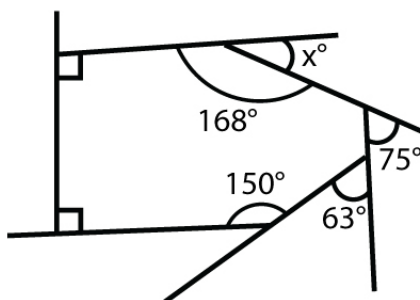
$x^\circ = \underline{110^\circ}$

6



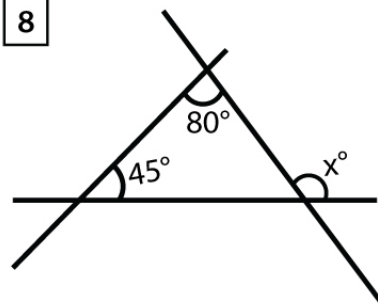
$x^\circ = \underline{79^\circ}$

7



$x^\circ = \underline{12^\circ}$

8



$x^\circ = \underline{125^\circ}$