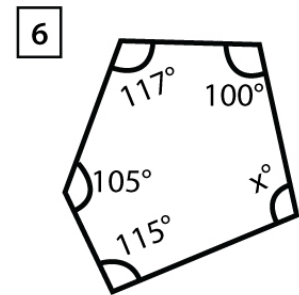
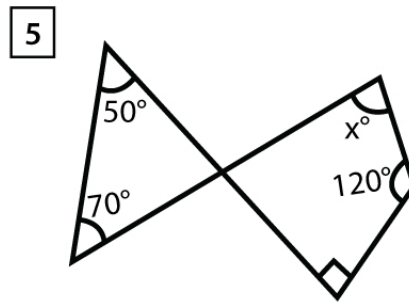
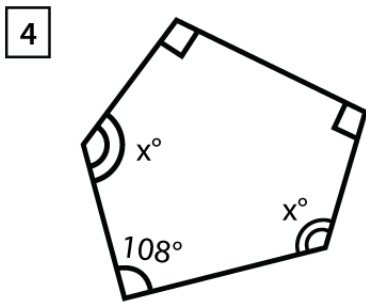
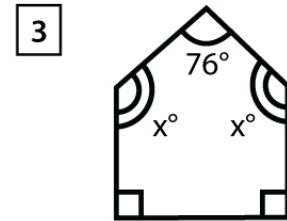
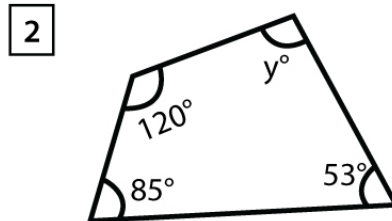
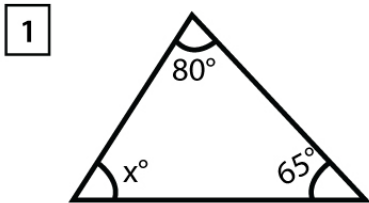


Name : _____

Score : _____ Date : _____

The Polygon Angle-Sum Theorem Worksheet

Using the angle sum theorem, find the unknown angle(s) in the given polygon



The measure of an exterior angle of a regular polygon is given. Find the measure of an interior angle

7	30	8	36	9	72	10	18
---	----	---	----	---	----	----	----

Find n, when the sum of the measures of the angles of a polygon with 'n' sides is given

11	2880	12	1980	13	180	14	1080
----	------	----	------	----	-----	----	------

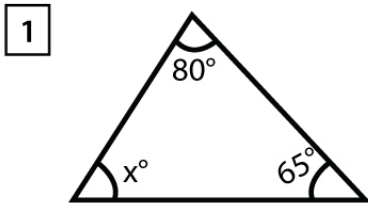
Name : _____

Score : _____ Date : _____

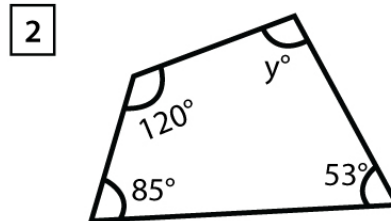
The Polygon Angle-Sum Theorem Worksheet

Answers

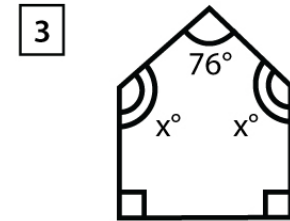
Using the angle sum theorem, find the unknown angle(s) in the given polygon



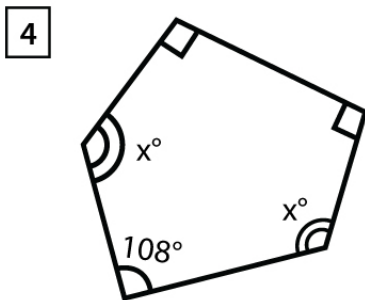
35°



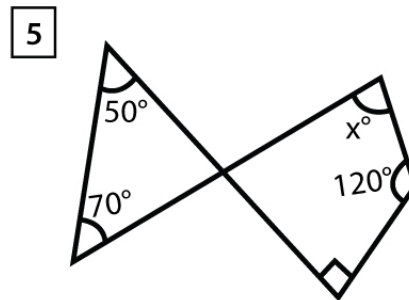
102°



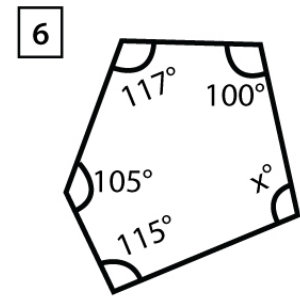
142°



126°



90°



103°

The measure of an exterior angle of a regular polygon is given. Find the measure of an interior angle

7	30	8	36	9	72	10	18
	150°		144°		108°		162°

Find n, when the sum of the measures of the angles of a polygon with 'n' sides is given

11	2880	12	1980	13	180	14	1080
	18		13		3		8