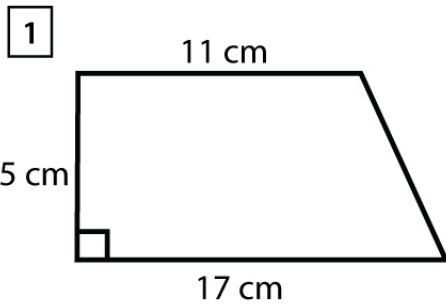


Name : _____

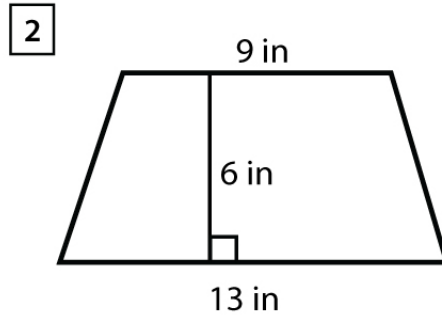
Score : _____ Date : _____

Area of Trapezoid Worksheet

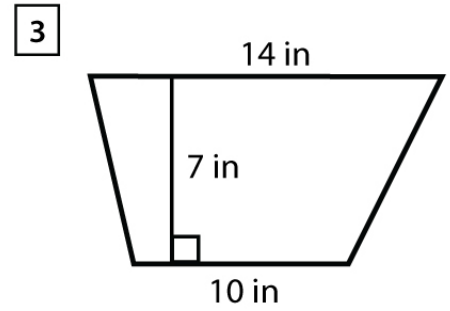
Finding the area of the given trapezoid



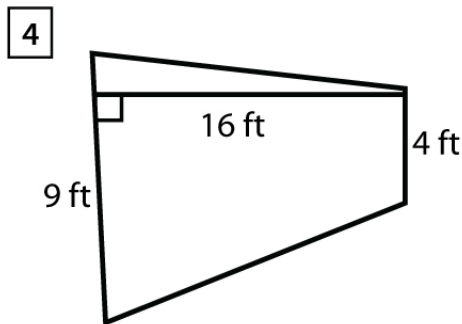
Area = _____ cm²



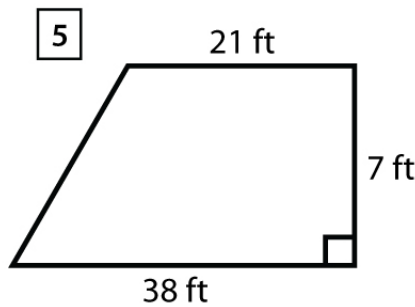
Area = _____ in²



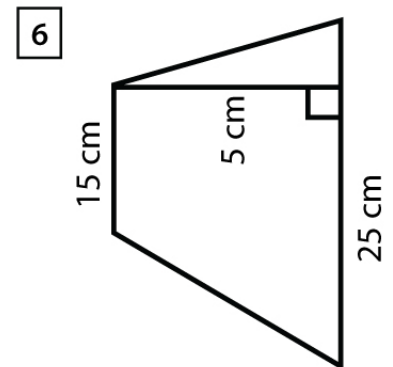
Area = _____ in²



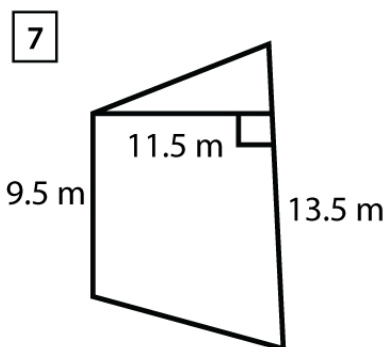
Area = _____ ft²



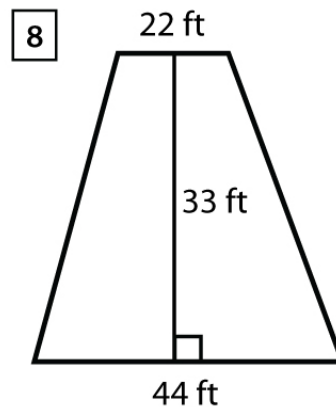
Area = _____ ft²



Area = _____ cm²



Area = _____ m²



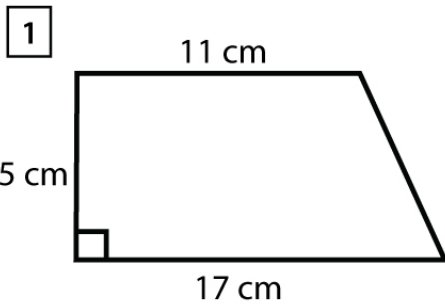
Area = _____ ft²

Name : _____

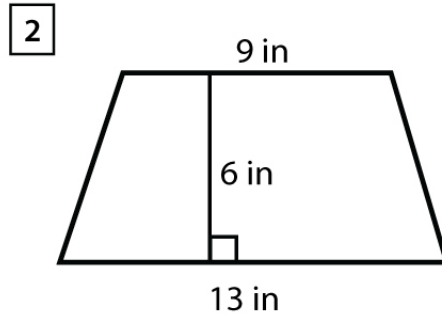
Score : _____ Date : _____

Area of Trapezoid Worksheet

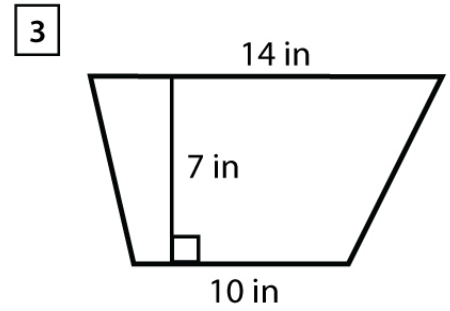
Answers



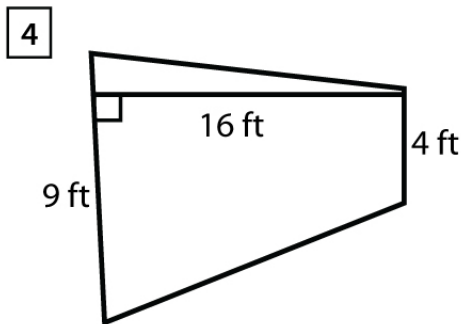
Area = 70 cm²



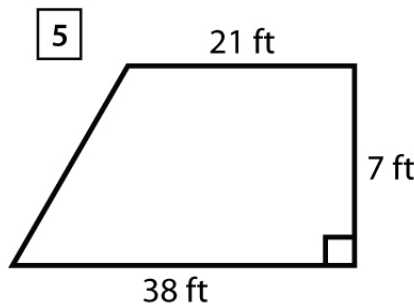
Area = 66 in²



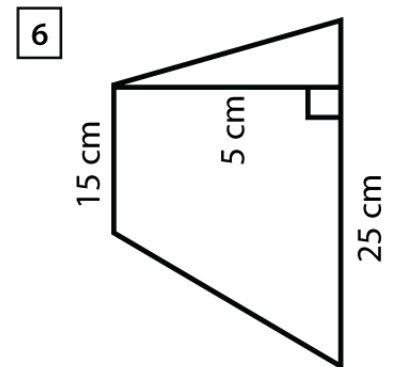
Area = 84 in²



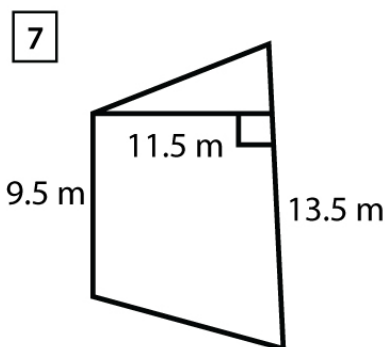
Area = 104 ft²



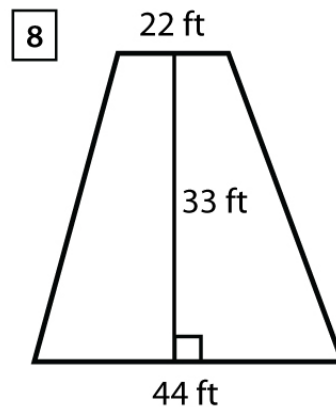
Area = 206.5 ft²



Area = 100 cm²



Area = 132.25 m²



Area = 1,089 ft²