

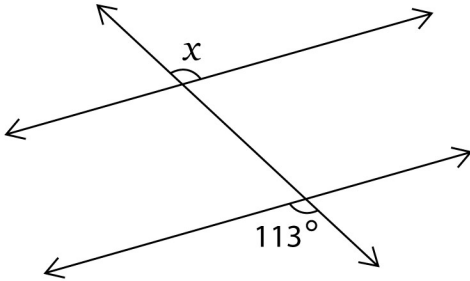
Name: _____

Date: _____ Score: _____

Angles Formed by a Transversal Worksheet

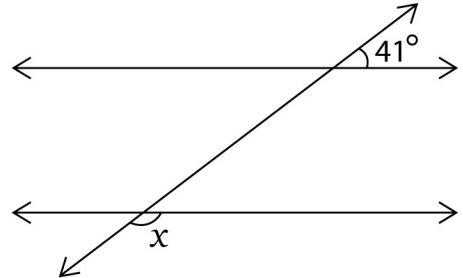
Write the correct value of $\angle x$

1



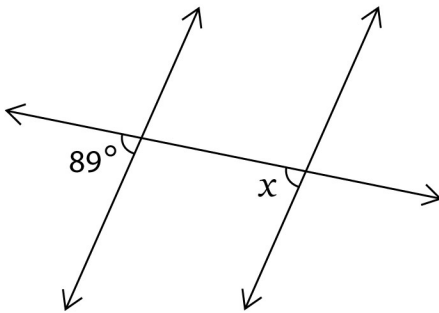
$\angle x =$ _____

2



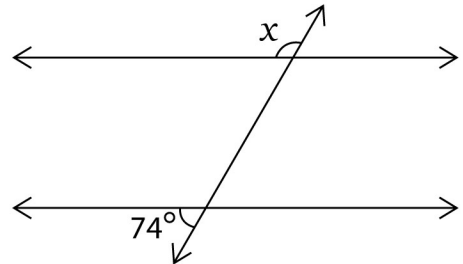
$\angle x =$ _____

3



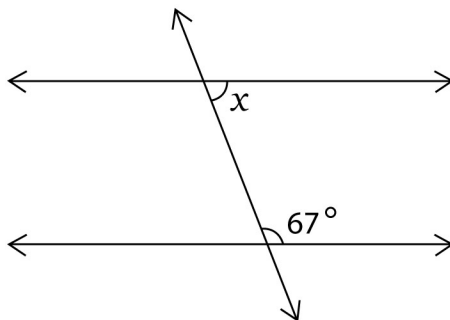
$\angle x =$ _____

4



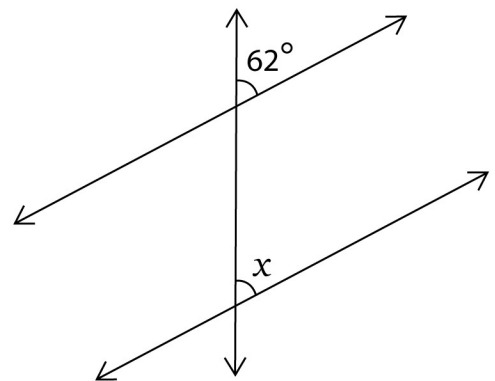
$\angle x =$ _____

5



$\angle x =$ _____

6



$\angle x =$ _____

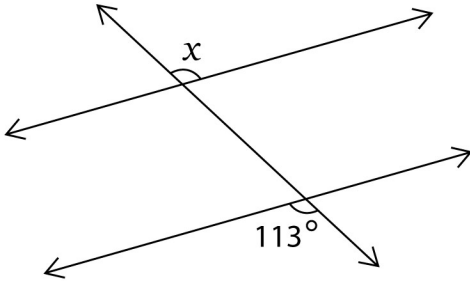
Name: _____

Date: _____ Score: _____

Angles Formed by a Transversal Worksheet

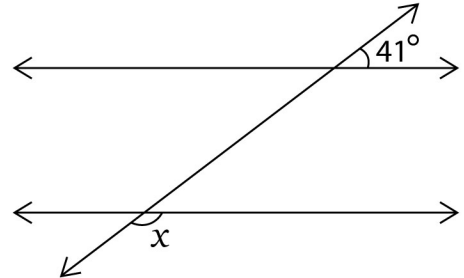
Answers

1



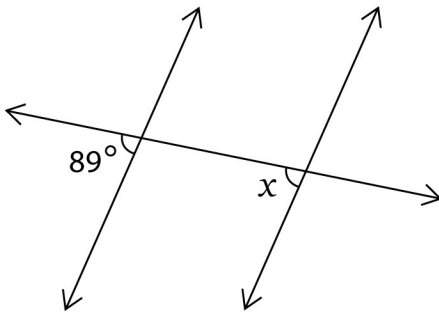
$\angle x = 113^\circ$

2



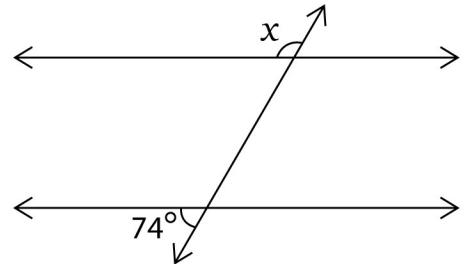
$\angle x = 139^\circ$

3



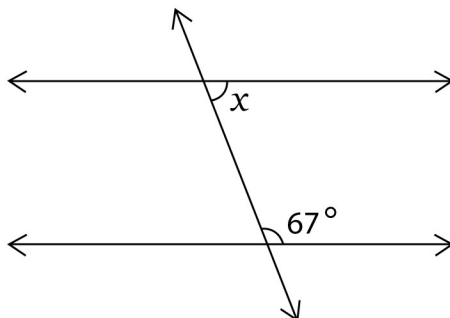
$\angle x = 89^\circ$

4



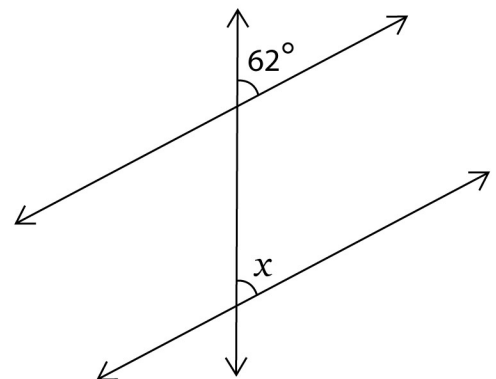
$\angle x = 106^\circ$

5



$\angle x = 113^\circ$

6



$\angle x = 62^\circ$