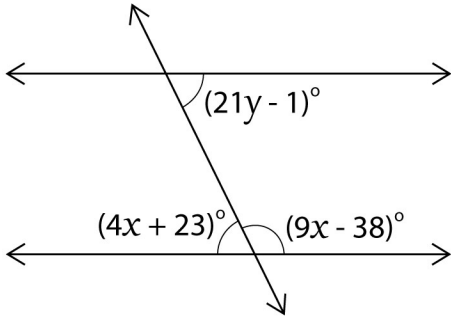


Name: .....

# Exercise on Equations Involving Transversals

Find the values of  $x$  and  $y$  in the following.

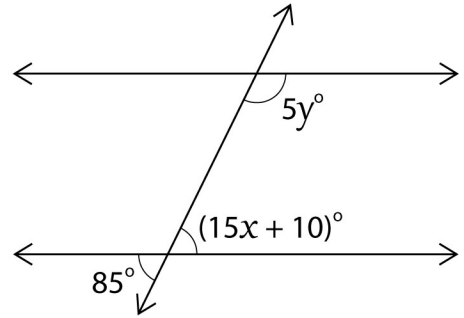
①



$x =$  .....

$y =$  .....

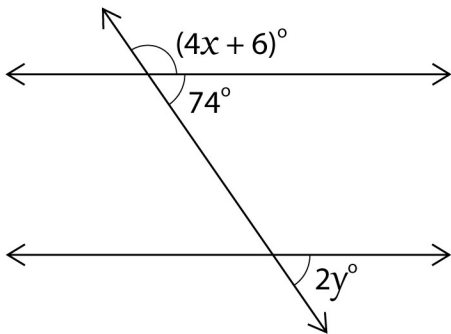
②



$x =$  .....

$y =$  .....

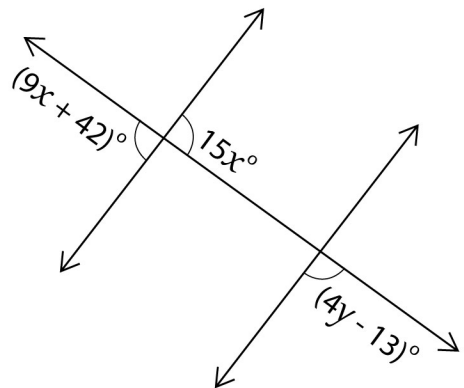
③



$x =$  .....

$y =$  .....

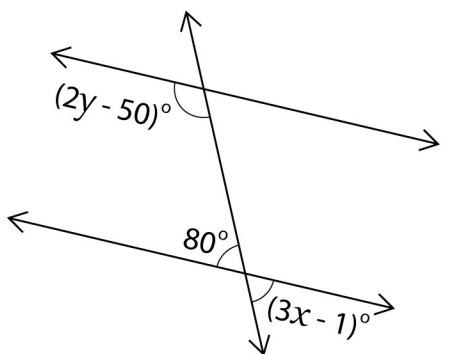
④



$x =$  .....

$y =$  .....

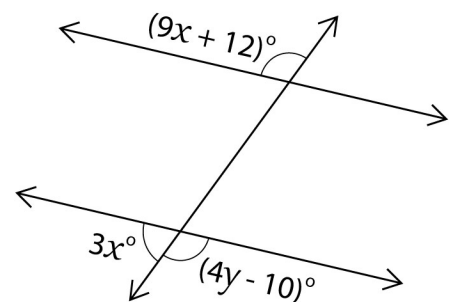
⑤



$x =$  .....

$y =$  .....

⑥



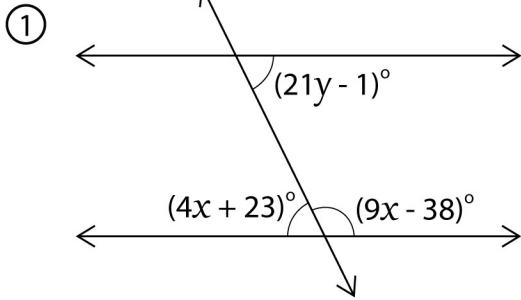
$x =$  .....

$y =$  .....

Name: .....

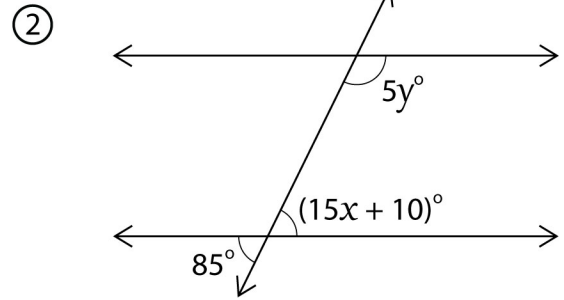
# Exercise on Equations Involving Transversals

## Answers



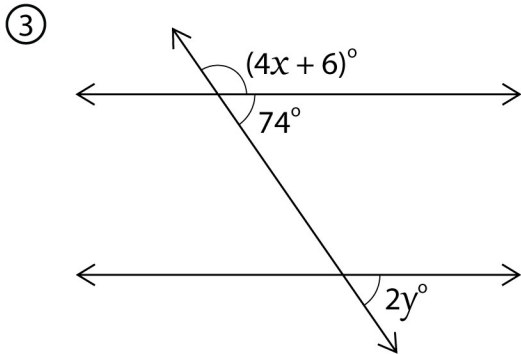
$x = 15^\circ$

$y = 4^\circ$



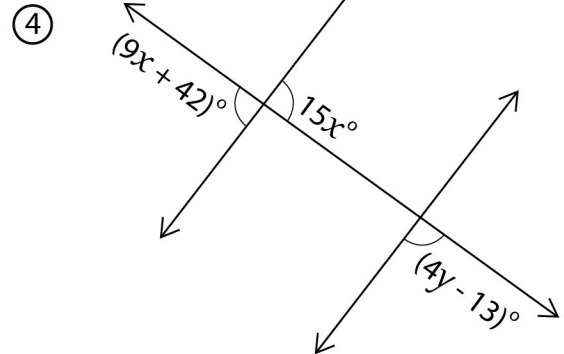
$x = 5^\circ$

$y = 19^\circ$



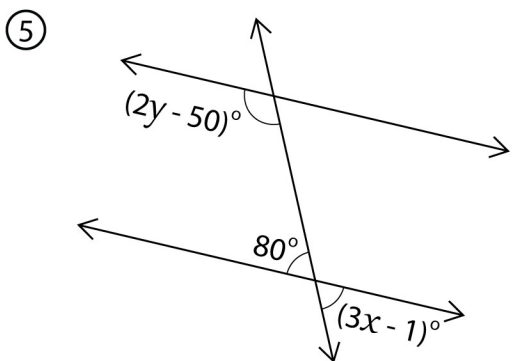
$x = 25^\circ$

$y = 37^\circ$



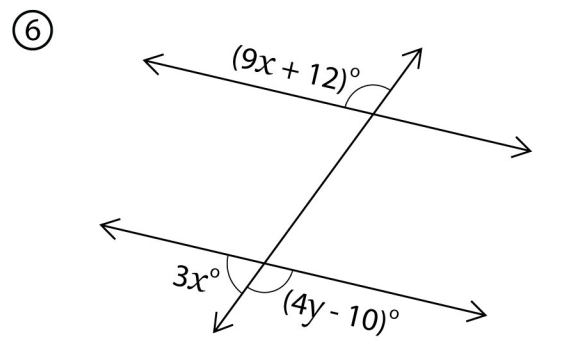
$x = 7^\circ$

$y = 22^\circ$



$x = 27^\circ$

$y = 75^\circ$



$x = 14^\circ$

$y = 37^\circ$