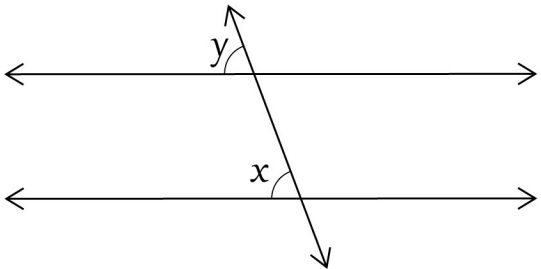
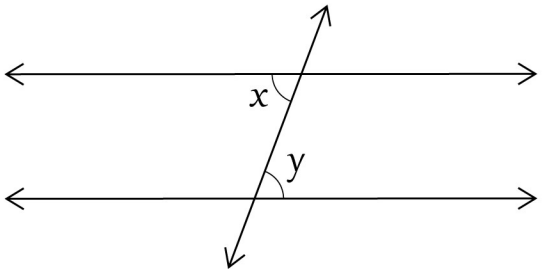
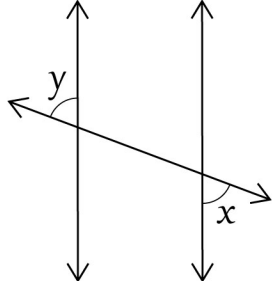
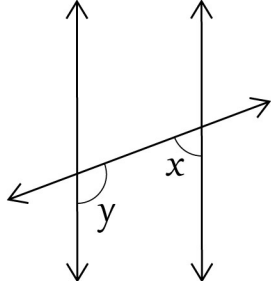
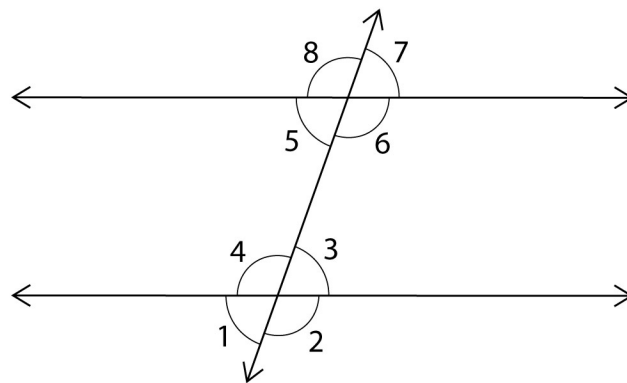


Geometry Worksheet for Parallel Lines Cut by a Transversal

A) Identify each pair of angles as corresponding, alternate interior, alternate exterior, or consecutive interior.

<p>①</p>  <p>.....</p>	<p>②</p>  <p>.....</p>
<p>③</p>  <p>.....</p>	<p>④</p>  <p>.....</p>

B) Find whether the following pairs of angles are congruent (C) or supplementary (S). Write C or S.



① $\angle 3$ and $\angle 5$ _____

② $\angle 2$ and $\angle 6$ _____

③ $\angle 4$ and $\angle 5$ _____

④ $\angle 2$ and $\angle 7$ _____

⑤ $\angle 1$ and $\angle 7$ _____

⑥ $\angle 1$ and $\angle 5$ _____

⑦ $\angle 4$ and $\angle 6$ _____

⑧ $\angle 3$ and $\angle 6$ _____

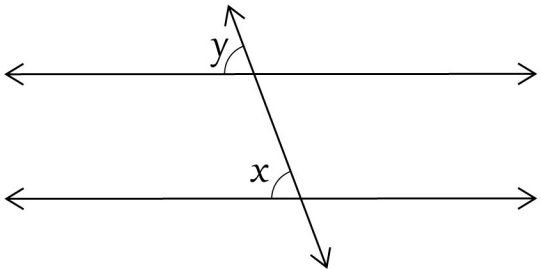
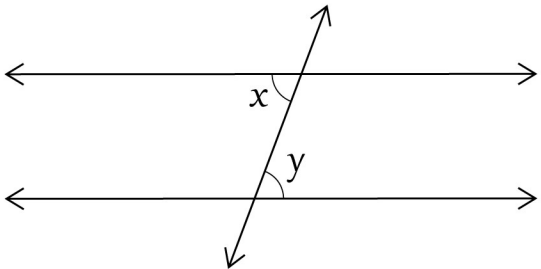
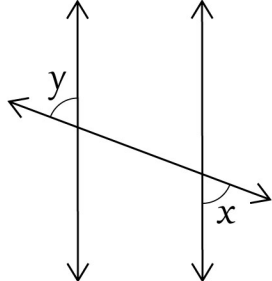
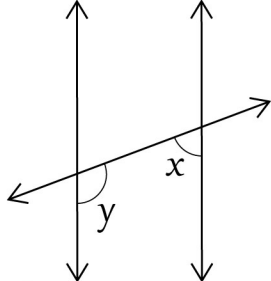
⑨ $\angle 4$ and $\angle 8$ _____

⑩ $\angle 2$ and $\angle 8$ _____

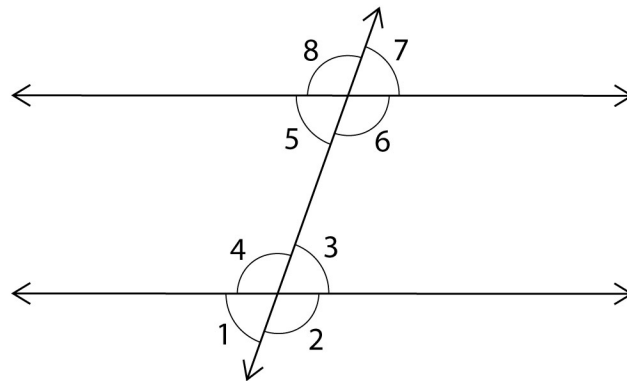
Geometry Worksheet for Parallel Lines Cut by a Transversal

A)

Answers

<p>①</p>  <p>Corresponding angles</p>	<p>②</p>  <p>Alternate interior angles</p>
<p>③</p>  <p>Alternate exterior angles</p>	<p>④</p>  <p>Consecutive interior angles</p>

B)



① $\angle 3$ and $\angle 5$ C

⑥ $\angle 1$ and $\angle 5$ C

② $\angle 2$ and $\angle 6$ C

⑦ $\angle 4$ and $\angle 6$ C

③ $\angle 4$ and $\angle 5$ S

⑧ $\angle 3$ and $\angle 6$ S

④ $\angle 2$ and $\angle 7$ S

⑨ $\angle 4$ and $\angle 8$ C

⑤ $\angle 1$ and $\angle 7$ C

⑩ $\angle 2$ and $\angle 8$ C