

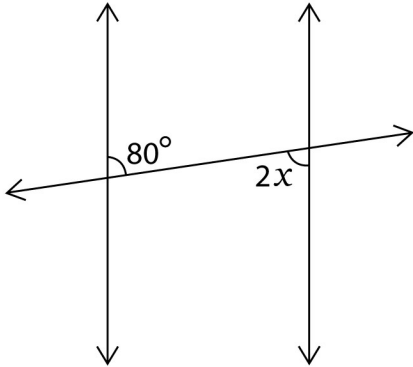
Name:

Date: Score:

Parallel Lines Cut by a Transversal

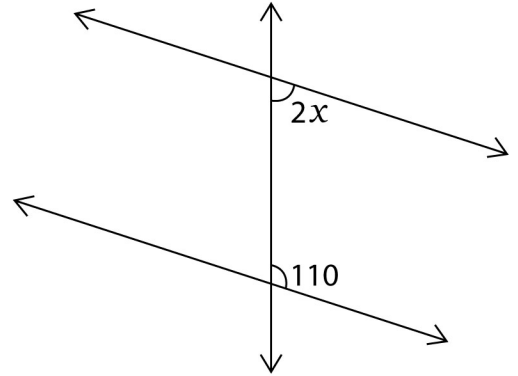
Find the value of x for the following.

1



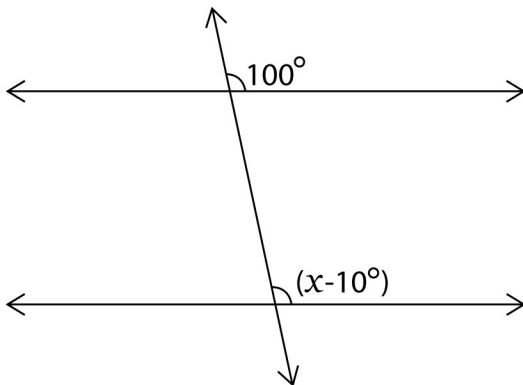
$x =$

2



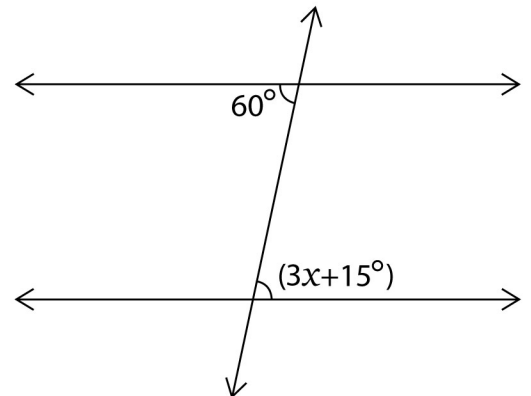
$x =$

3



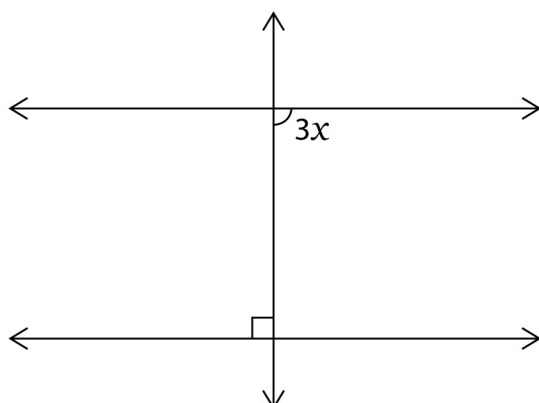
$x =$

4



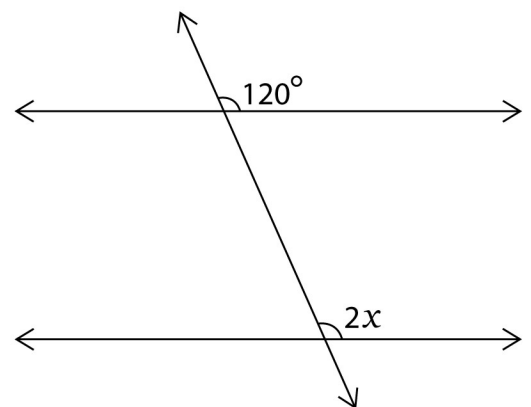
$x =$

5



$x =$

6



$x =$

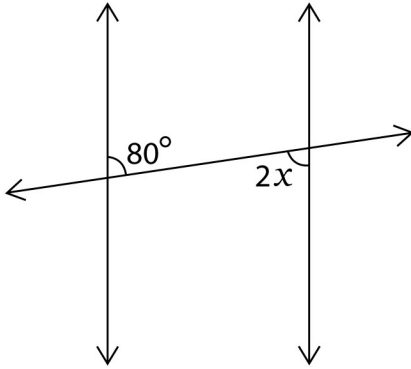
Name:

Date: Score:

Parallel Lines Cut by a Transversal

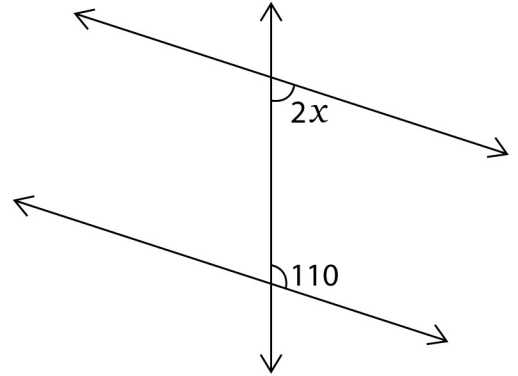
Answers

1



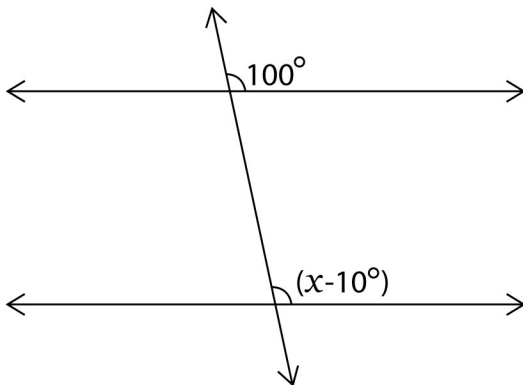
$x = \underline{\quad 40^\circ \quad}$

2



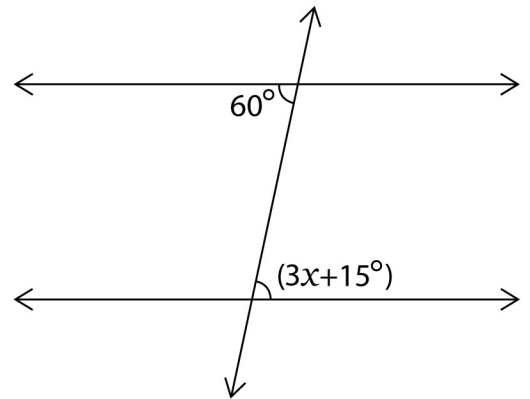
$x = \underline{\quad 35^\circ \quad}$

3



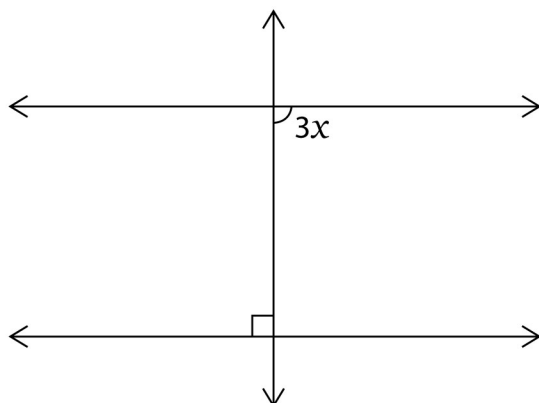
$x = \underline{\quad 110^\circ \quad}$

4



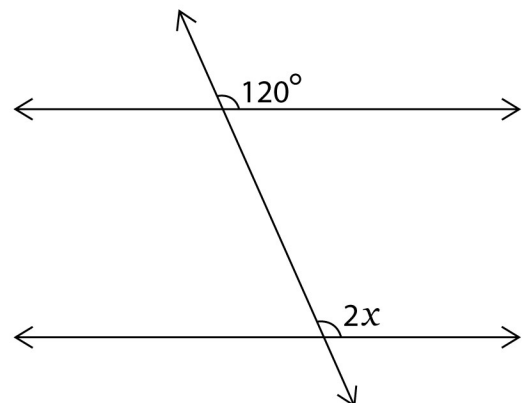
$x = \underline{\quad 15^\circ \quad}$

5



$x = \underline{\quad 30^\circ \quad}$

6



$x = \underline{\quad 60^\circ \quad}$