

Name: _____

Worksheet on Parallel Lines and Transversals

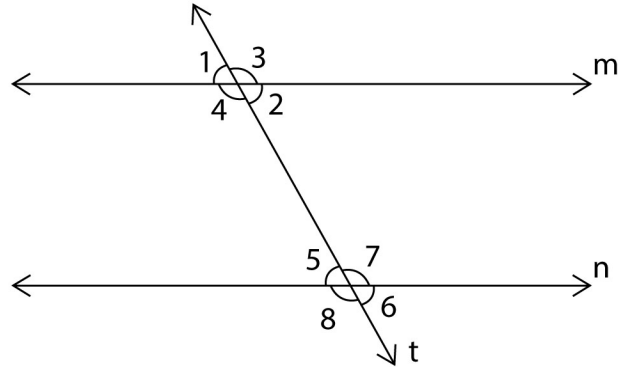
A) If line m is parallel to line n , write if the given pairs of angles are corresponding, alternate interior, alternate exterior, or consecutive interior.

$\angle 1$ and $\angle 5$ _____

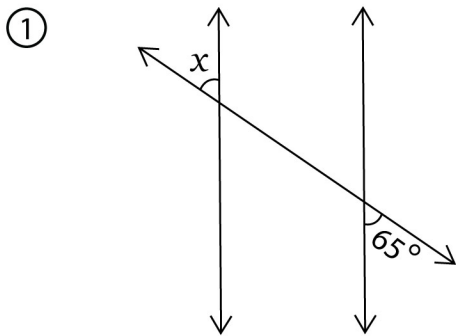
$\angle 2$ and $\angle 7$ _____

$\angle 3$ and $\angle 8$ _____

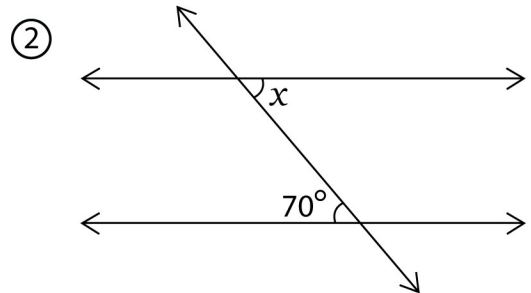
$\angle 4$ and $\angle 7$ _____



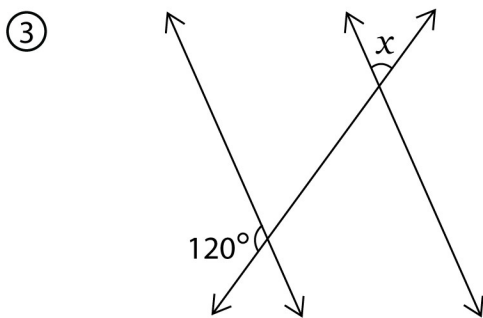
B) Find the measure of $\angle x$



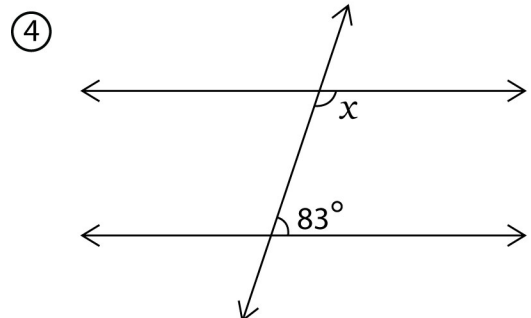
$\angle x =$ _____



$\angle x =$ _____



$\angle x =$ _____



$\angle x =$ _____

Name: _____

Worksheet on Parallel Lines and Transversals

A)

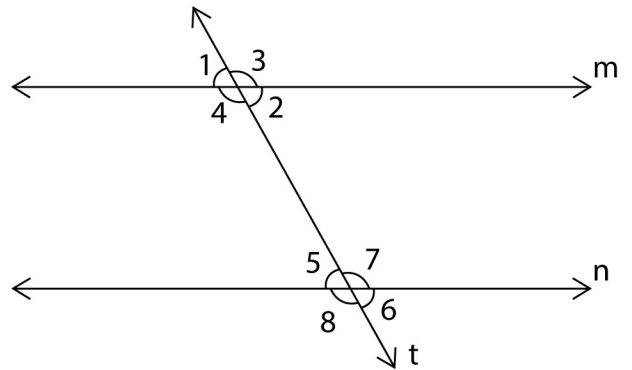
Answers

$\angle 1$ and $\angle 5$ Corresponding angles

$\angle 2$ and $\angle 7$ Consecutive interior angles

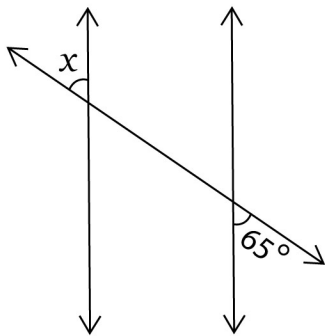
$\angle 3$ and $\angle 8$ Alternate exterior angles

$\angle 4$ and $\angle 7$ Alternate interior angles



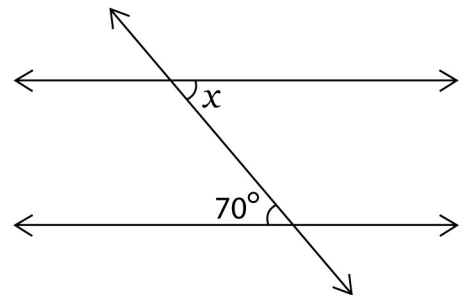
B)

①



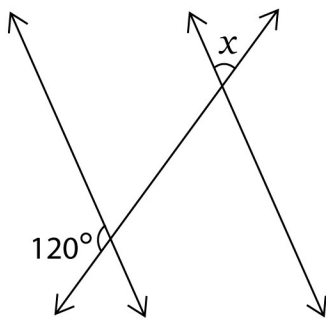
$\angle x = 65^\circ$

②



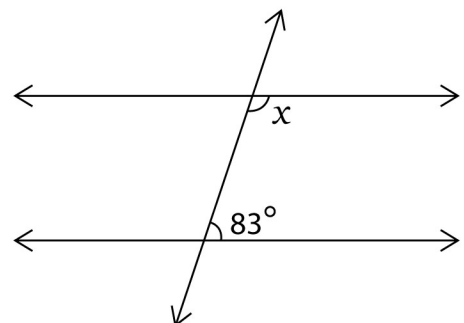
$\angle x = 70^\circ$

③



$\angle x = 60^\circ$

④



$\angle x = 97^\circ$