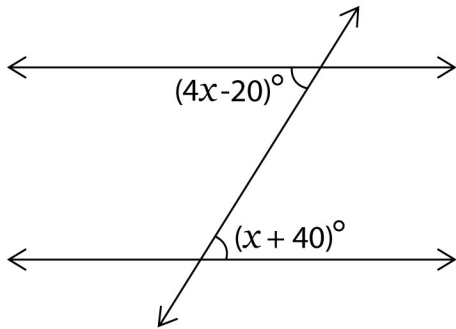


Name:

Parallel Lines and Transversals in Algebra

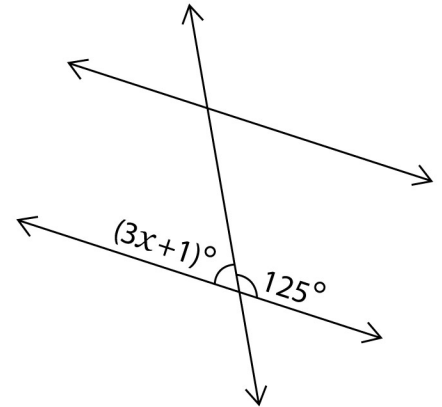
Solve for x

1



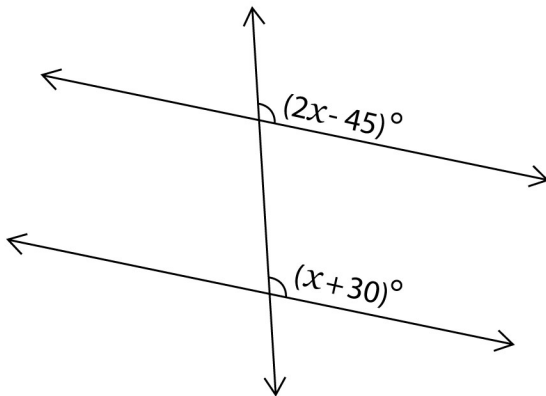
$x =$

2



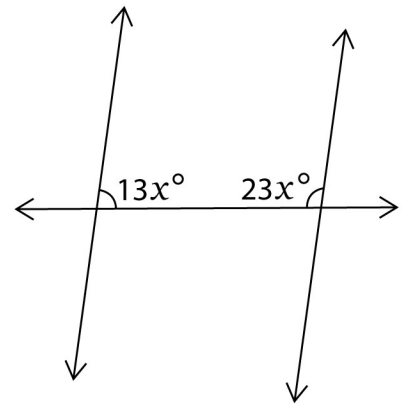
$x =$

3



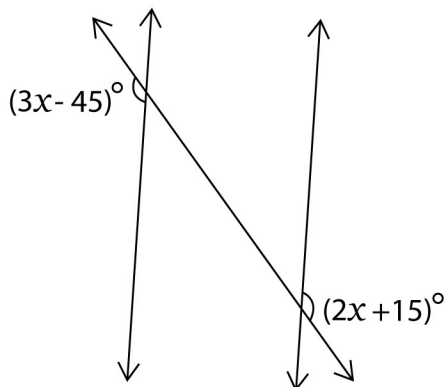
$x =$

4



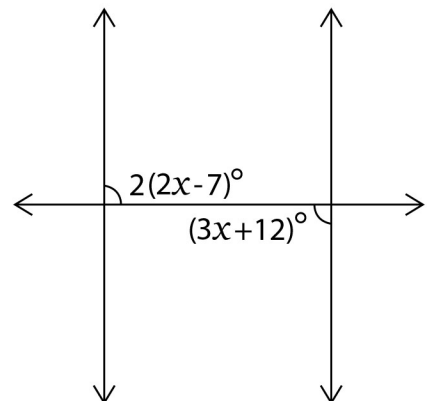
$x =$

5



$x =$

6



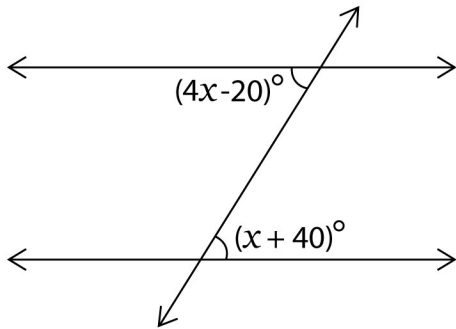
$x =$

Name:

Parallel Lines and Transversals in Algebra

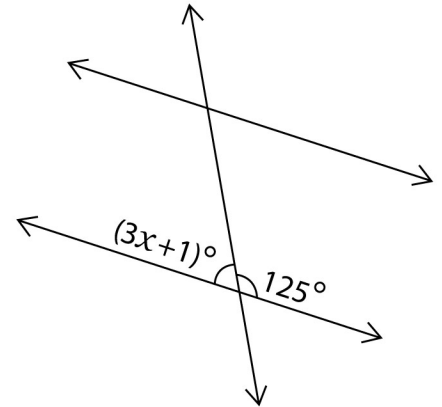
Answers

1



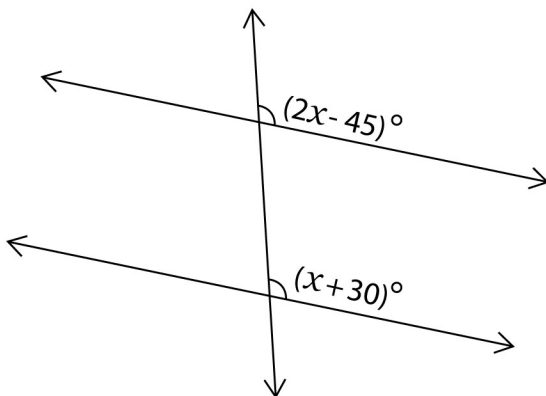
$x = 20^\circ$

2



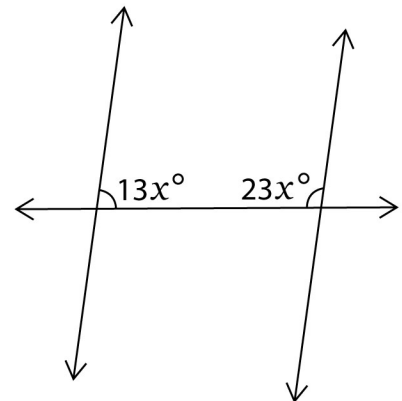
$x = 18^\circ$

3



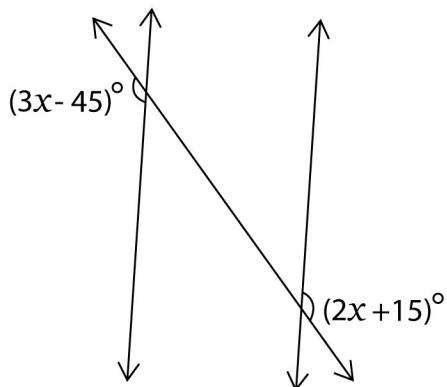
$x = 75^\circ$

4



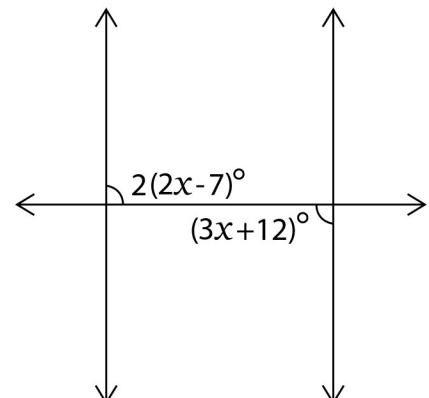
$x = 5^\circ$

5



$x = 60^\circ$

6



$x = 26^\circ$