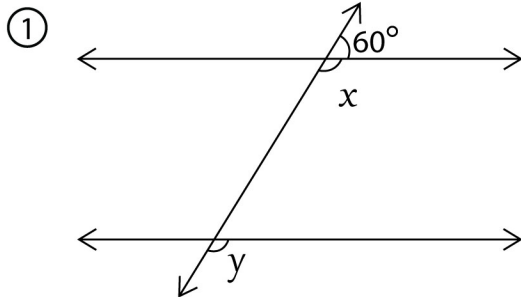


Name:

Date: Score:

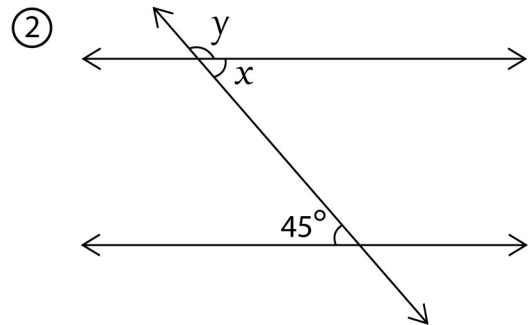
Parallel Lines and Transversals Worksheet

Find $\angle x$ and $\angle y$



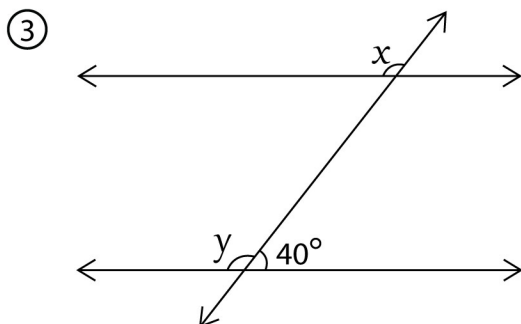
$\angle x =$ _____

$\angle y =$ _____



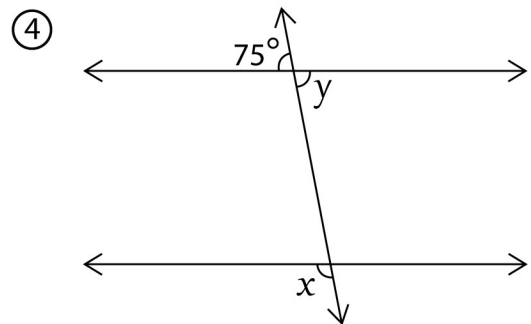
$\angle x =$ _____

$\angle y =$ _____



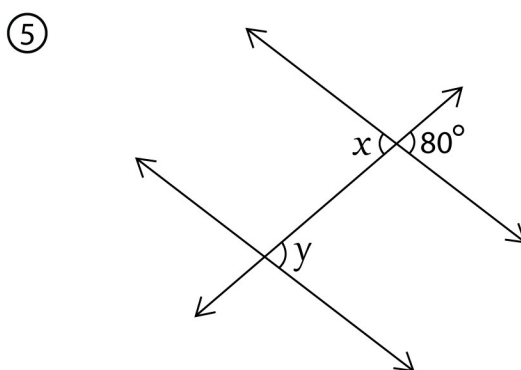
$\angle x =$ _____

$\angle y =$ _____



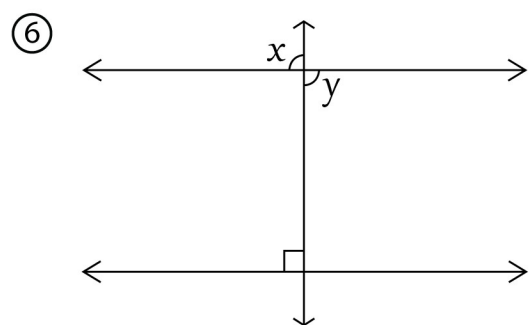
$\angle x =$ _____

$\angle y =$ _____



$\angle x =$ _____

$\angle y =$ _____



$\angle x =$ _____

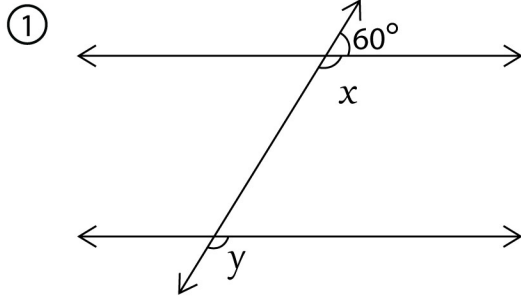
$\angle y =$ _____

Name:

Date: Score:

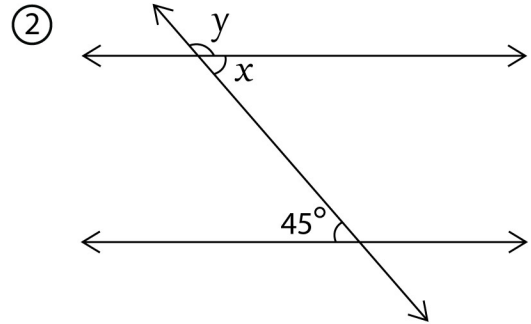
Parallel Lines and Transversals Worksheet

Answers



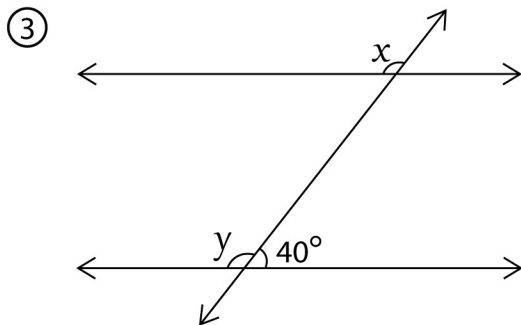
$\angle x = 120^\circ$

$\angle y = 60^\circ$



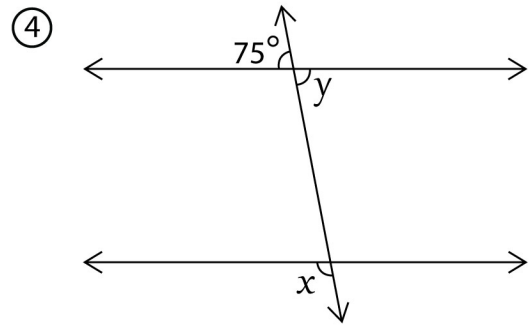
$\angle x = 45^\circ$

$\angle y = 135^\circ$



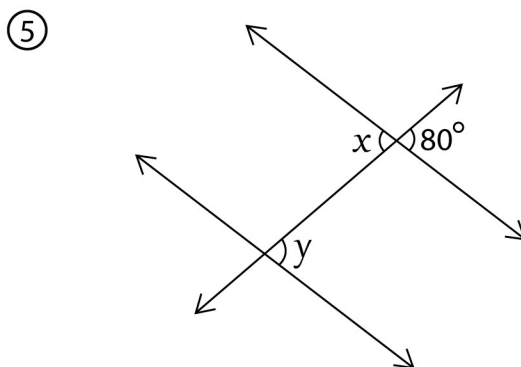
$\angle x = 140^\circ$

$\angle y = 140^\circ$



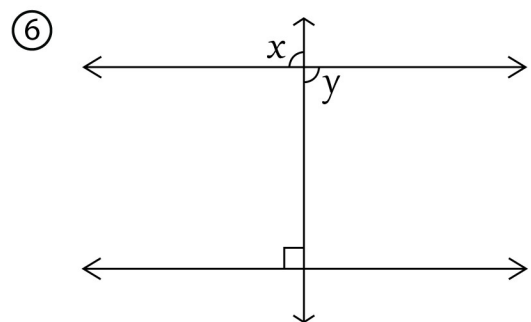
$\angle x = 105^\circ$

$\angle y = 75^\circ$



$\angle x = 80^\circ$

$\angle y = 80^\circ$



$\angle x = 90^\circ$

$\angle y = 90^\circ$