

Practice Sheet for Transversals

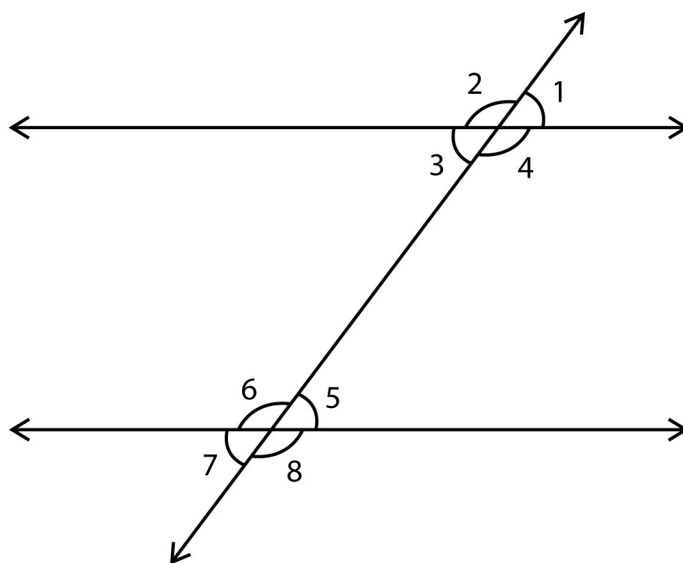
A) Write down the relation between the given pairs of angles.

$\angle 1$ and $\angle 7 =$ _____

$\angle 3$ and $\angle 5 =$ _____

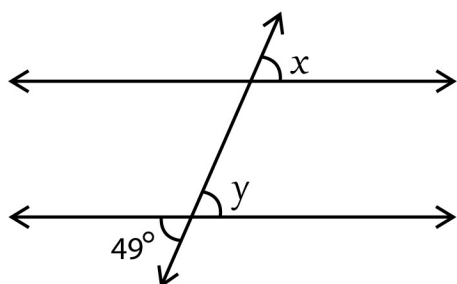
$\angle 2$ and $\angle 6 =$ _____

$\angle 4$ and $\angle 5 =$ _____



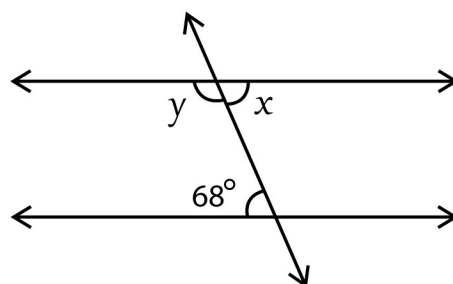
B) Find the measure of x and y .

1



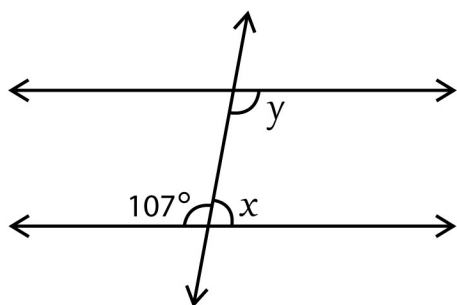
$x =$ _____ $y =$ _____

2



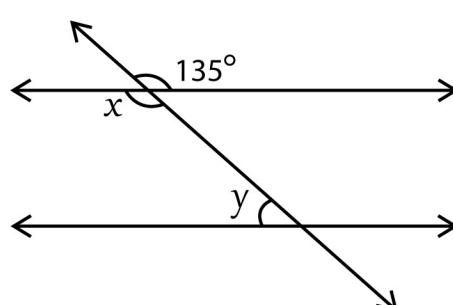
$x =$ _____ $y =$ _____

3



$x =$ _____ $y =$ _____

4



$x =$ _____ $y =$ _____

Practice Sheet for Transversals

A)

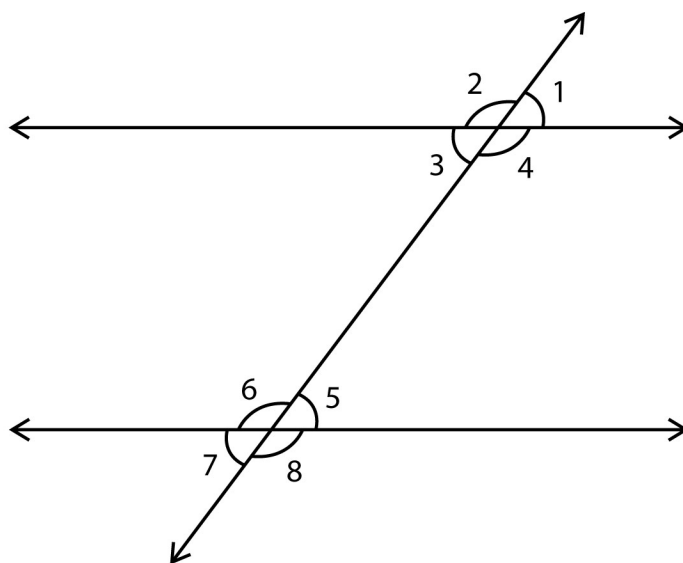
Answers

$\angle 1$ and $\angle 7 =$ Alternate exterior angles.

$\angle 3$ and $\angle 5 =$ Alternate interior angles.

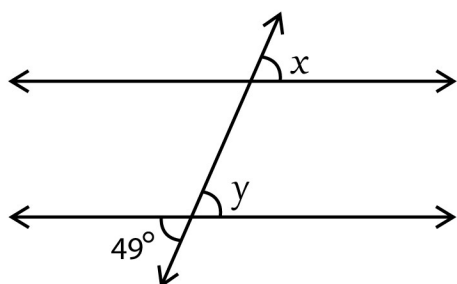
$\angle 2$ and $\angle 6 =$ Corresponding angles

$\angle 4$ and $\angle 5 =$ Consecutive interior angles



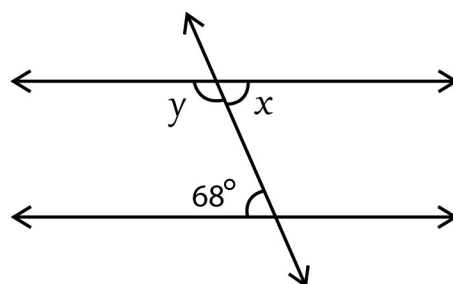
B)

1



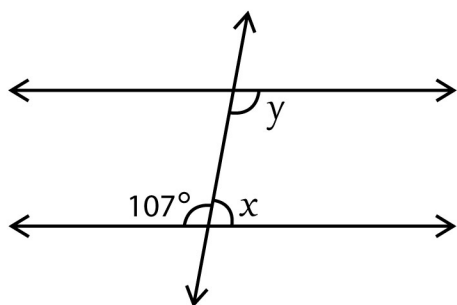
$x =$ 49° $y =$ 49°

2



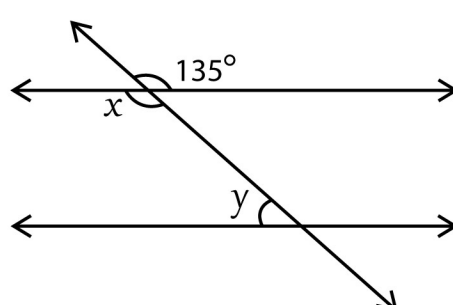
$x =$ 68° $y =$ 112°

3



$x =$ 73° $y =$ 107°

4



$x =$ 135° $y =$ 45°