

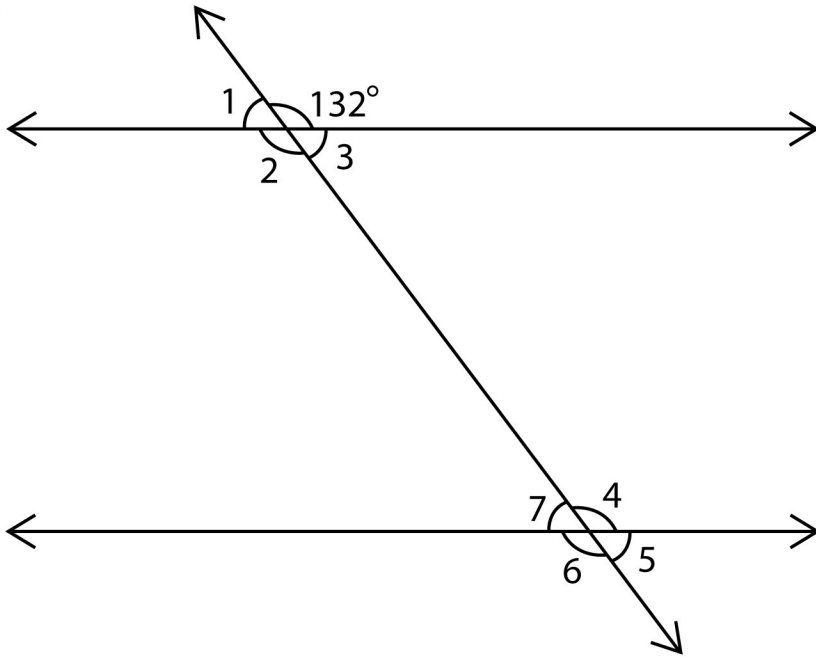
Name: _____

Date: _____ Score: _____

Parallel Lines and Transversals

Find the marked angles in the given figures.

①



1) $m\angle 1 =$ _____

2) $m\angle 2 =$ _____

3) $m\angle 3 =$ _____

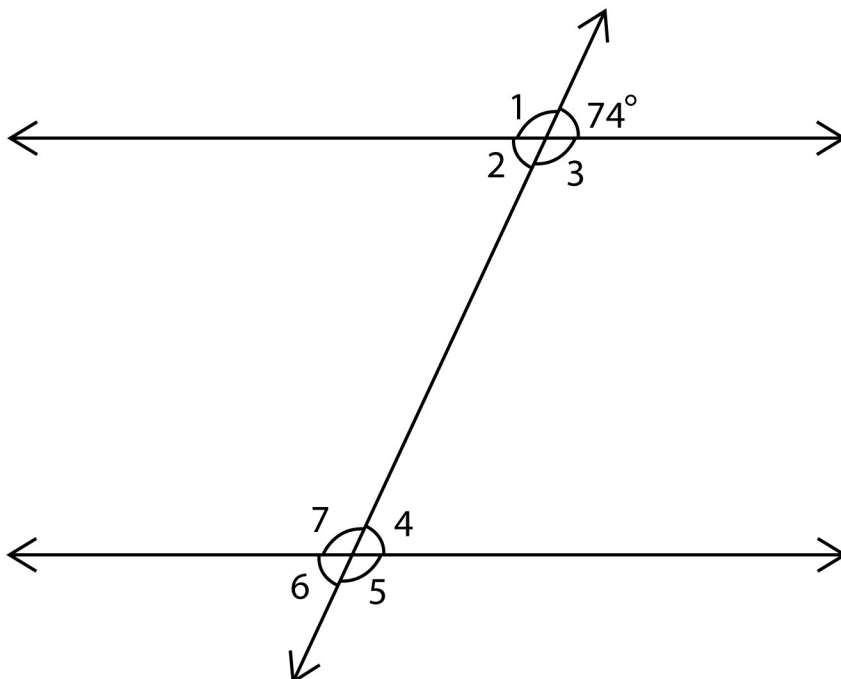
4) $m\angle 4 =$ _____

5) $m\angle 5 =$ _____

6) $m\angle 6 =$ _____

7) $m\angle 7 =$ _____

②



1) $m\angle 1 =$ _____

2) $m\angle 2 =$ _____

3) $m\angle 3 =$ _____

4) $m\angle 4 =$ _____

5) $m\angle 5 =$ _____

6) $m\angle 6 =$ _____

7) $m\angle 7 =$ _____

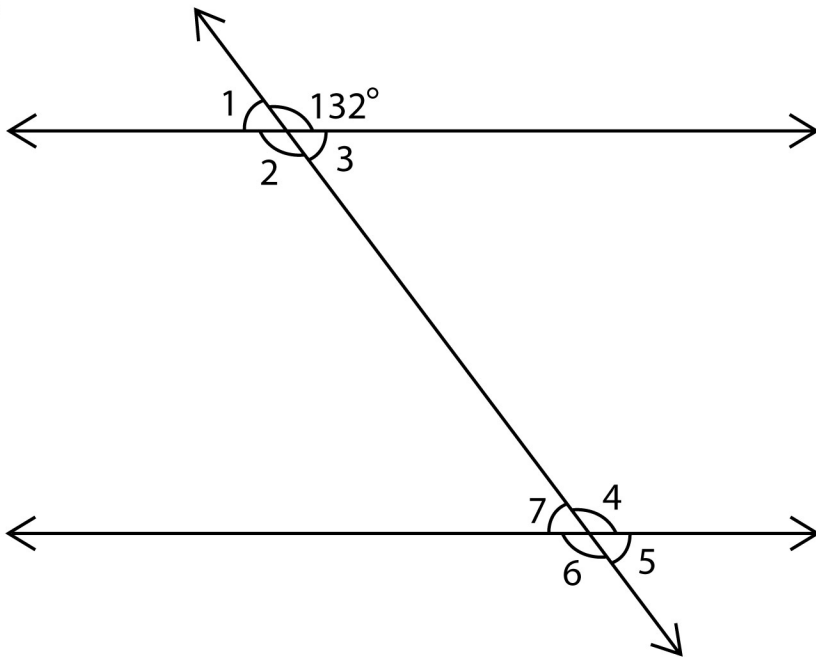
Name: _____

Date: _____ Score: _____

Parallel Lines and Transversals

Answers

①



1) $m\angle 1 = 48^\circ$

2) $m\angle 2 = 132^\circ$

3) $m\angle 3 = 48^\circ$

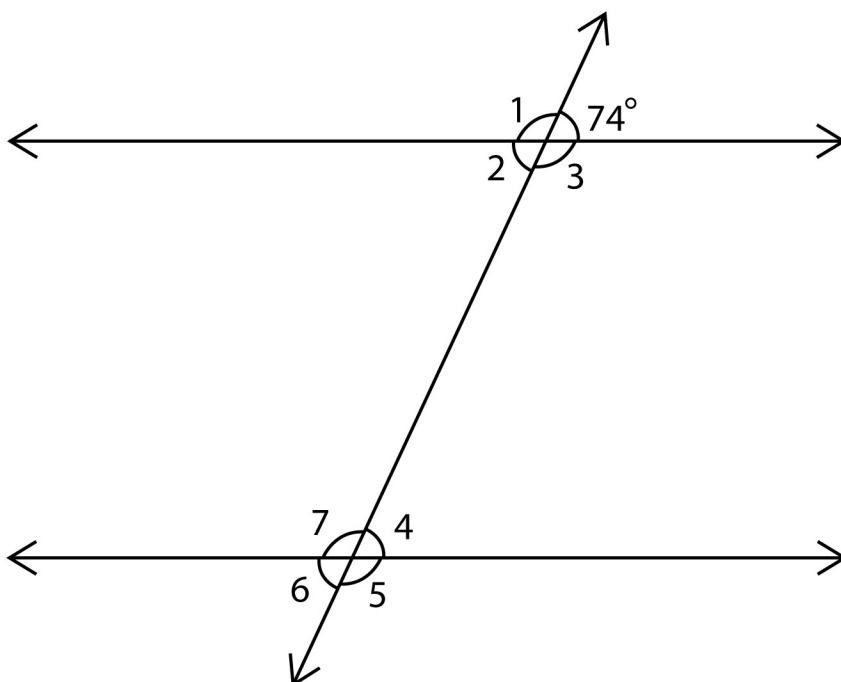
4) $m\angle 4 = 132^\circ$

5) $m\angle 5 = 48^\circ$

6) $m\angle 6 = 132^\circ$

7) $m\angle 7 = 48^\circ$

②



1) $m\angle 1 = 106^\circ$

2) $m\angle 2 = 74^\circ$

3) $m\angle 3 = 106^\circ$

4) $m\angle 4 = 74^\circ$

5) $m\angle 5 = 106^\circ$

6) $m\angle 6 = 74^\circ$

7) $m\angle 7 = 106^\circ$