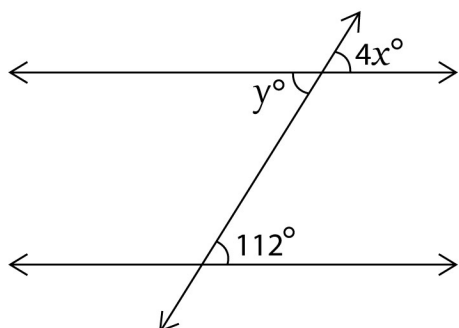


Two Parallel Lines Cut by a Transversal

Each figure consists of two parallel lines cut by a transversal.
Solve for x and y .

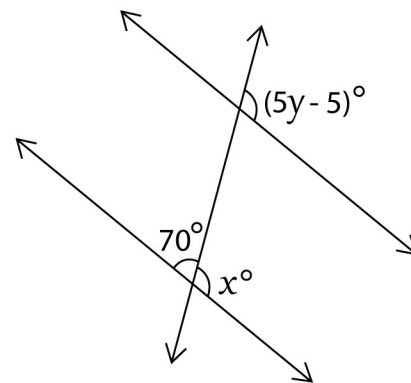
1



$x =$ _____

$y =$ _____

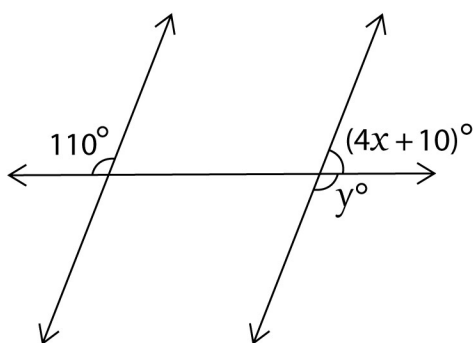
2



$x =$ _____

$y =$ _____

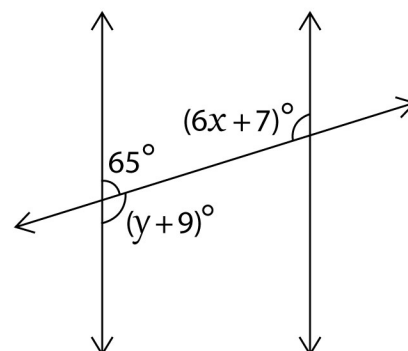
3



$x =$ _____

$y =$ _____

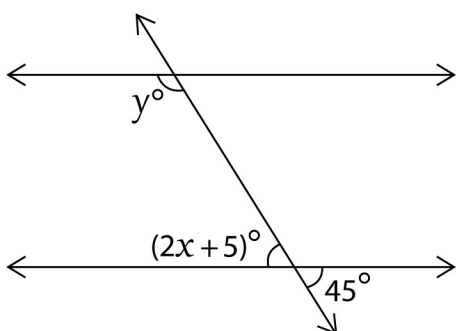
4



$x =$ _____

$y =$ _____

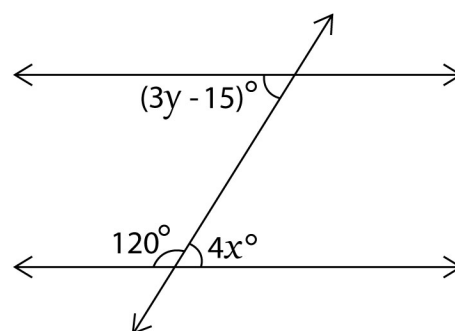
5



$x =$ _____

$y =$ _____

6



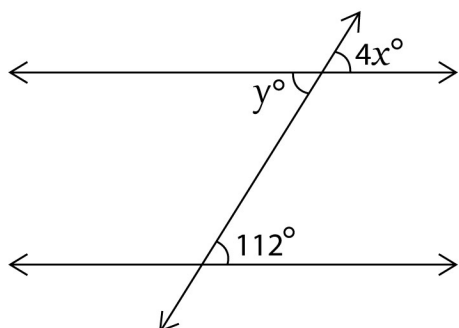
$x =$ _____

$y =$ _____

Two Parallel Lines Cut by a Transversal

Answers

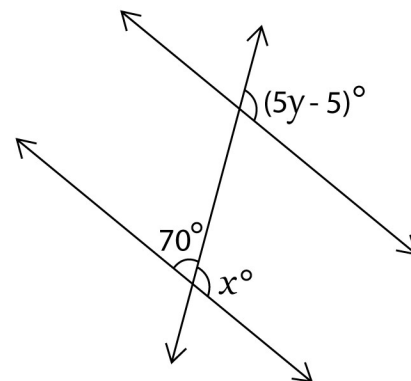
1



$$x = \underline{28^\circ}$$

$$y = \underline{112^\circ}$$

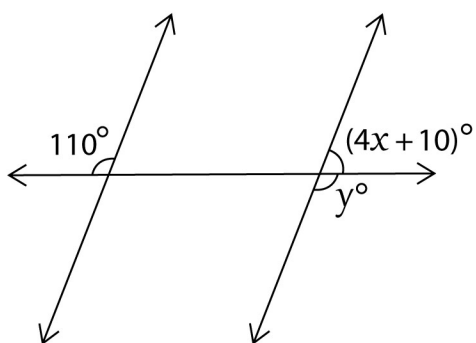
2



$$x = \underline{110^\circ}$$

$$y = \underline{23^\circ}$$

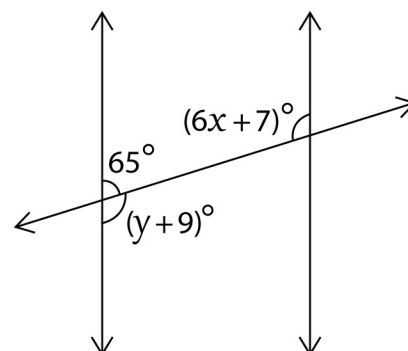
3



$$x = \underline{15^\circ}$$

$$y = \underline{110^\circ}$$

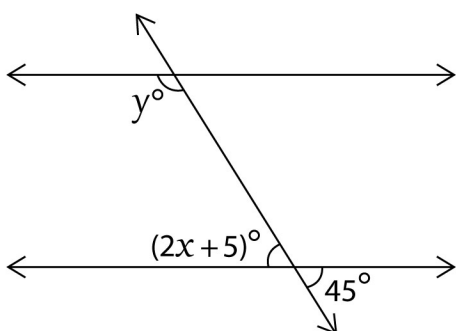
4



$$x = \underline{18^\circ}$$

$$y = \underline{106^\circ}$$

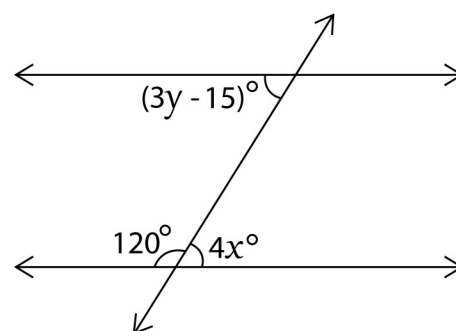
5



$$x = \underline{20^\circ}$$

$$y = \underline{135^\circ}$$

6



$$x = \underline{15^\circ}$$

$$y = \underline{25^\circ}$$