

Name: _____ Date: _____

Measurement and Data

Convert the given customary units for each measurement.

① $72 \text{ in} = \underline{\hspace{2cm}} \text{ yd}$

⑥ $1.8 \text{ gal} = \underline{\hspace{2cm}} \text{ qt}$

② $21 \text{ qt} = \underline{\hspace{2cm}} \text{ c}$

⑦ $1 \text{ mi} = \underline{\hspace{2cm}} \text{ ft}$

③ $84 \text{ in} = \underline{\hspace{2cm}} \text{ ft}$

⑧ $45 \text{ ft} = \underline{\hspace{2cm}} \text{ in}$

④ $1 \text{ mi} = \underline{\hspace{2cm}} \text{ yd}$

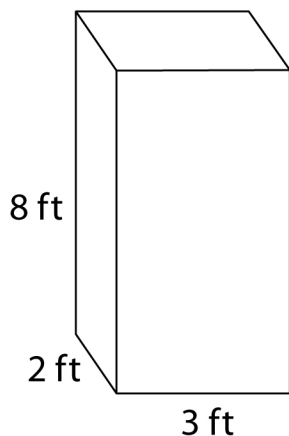
⑨ $9 \text{ yd} = \underline{\hspace{2cm}} \text{ ft}$

⑤ $12 \text{ yd} = \underline{\hspace{2cm}} \text{ in}$

⑩ $32 \text{ pt} = \underline{\hspace{2cm}} \text{ gal}$

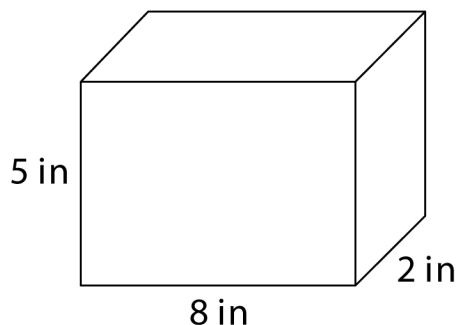
Calculate the volume (V) for each figure.

①



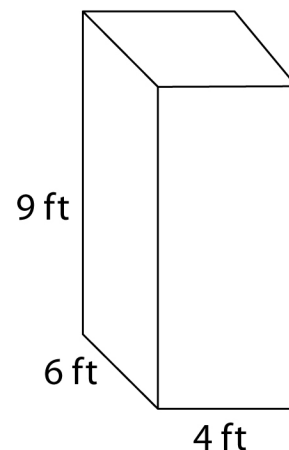
$V = \underline{\hspace{2cm}}$

②



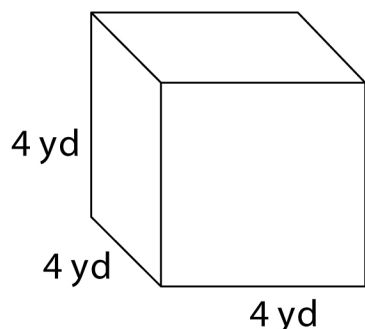
$V = \underline{\hspace{2cm}}$

③



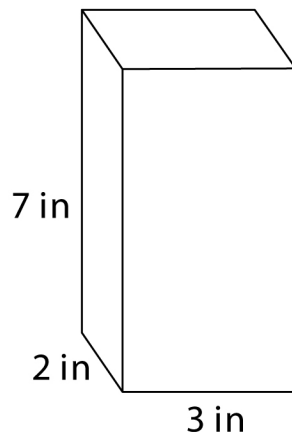
$V = \underline{\hspace{2cm}}$

④



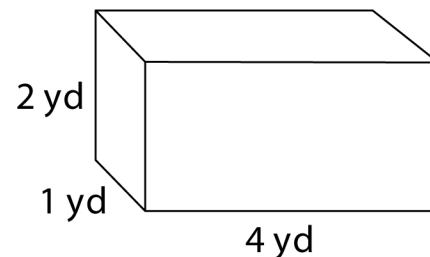
$V = \underline{\hspace{2cm}}$

⑤



$V = \underline{\hspace{2cm}}$

⑥



$V = \underline{\hspace{2cm}}$

Name: _____

Date: _____

Measurement and Data

Convert the given customary units for each measurement.

① $72 \text{ in} = \underline{2} \text{ yd}$

⑥ $1.8 \text{ gal} = \underline{7.2} \text{ qt}$

② $21 \text{ qt} = \underline{84} \text{ c}$

⑦ $1 \text{ mi} = \underline{5280} \text{ ft}$

③ $84 \text{ in} = \underline{7} \text{ ft}$

⑧ $45 \text{ ft} = \underline{540} \text{ in}$

④ $1 \text{ mi} = \underline{1760} \text{ yd}$

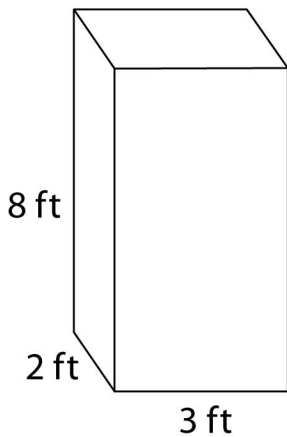
⑨ $9 \text{ yd} = \underline{27} \text{ ft}$

⑤ $12 \text{ yd} = \underline{432} \text{ in}$

⑩ $32 \text{ pt} = \underline{4} \text{ gal}$

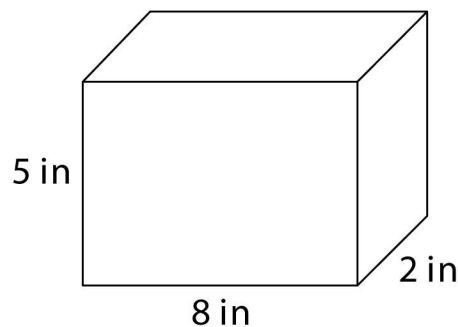
Calculate the volume (V) for each figure.

①



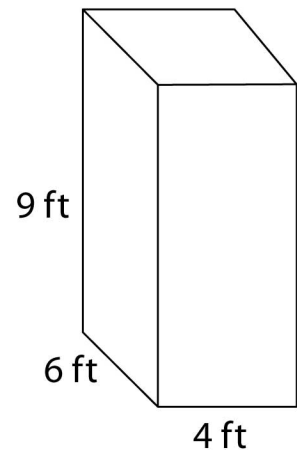
$$V = \underline{48 \text{ ft}^3}$$

②



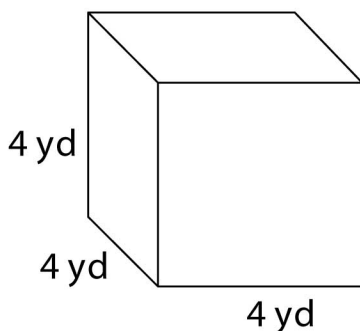
$$V = \underline{80 \text{ in}^3}$$

③



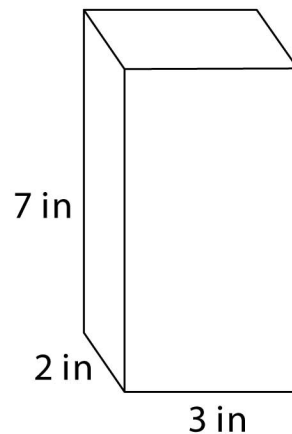
$$V = \underline{216 \text{ ft}^3}$$

④



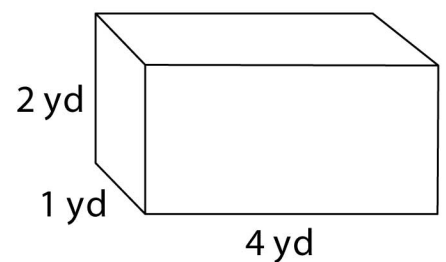
$$V = \underline{64 \text{ yd}^3}$$

⑤



$$V = \underline{42 \text{ in}^3}$$

⑥



$$V = \underline{8 \text{ yd}^3}$$