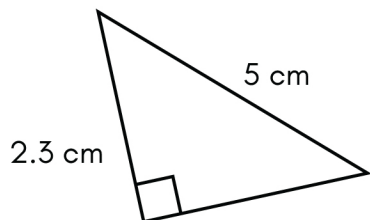


Name: \_\_\_\_\_

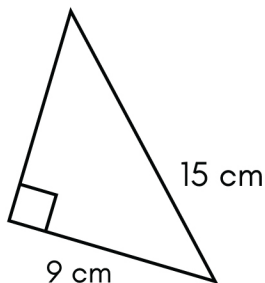
# EASY PYTHAGOREAN THEOREM WORKSHEET

Find the length of the missing side in each right triangle. Correct your answer to one decimal place.

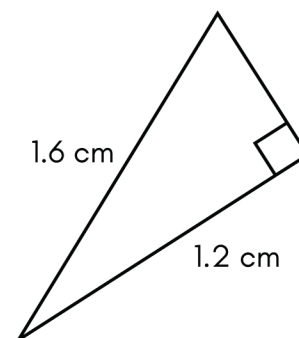
1)



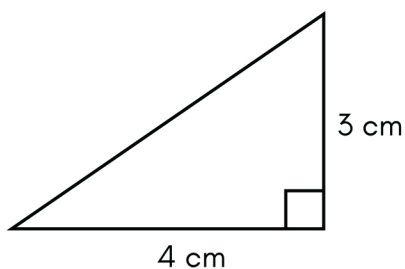
2)



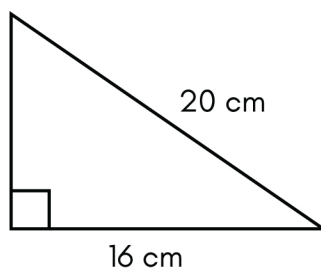
3)



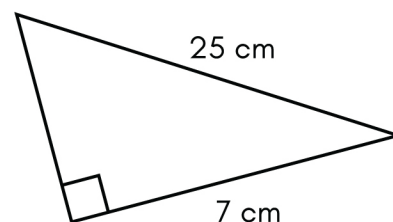
4)



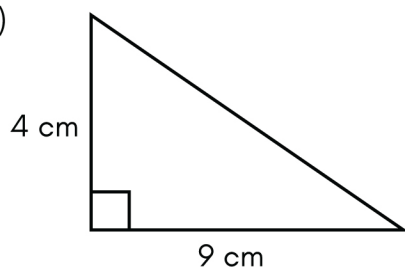
5)



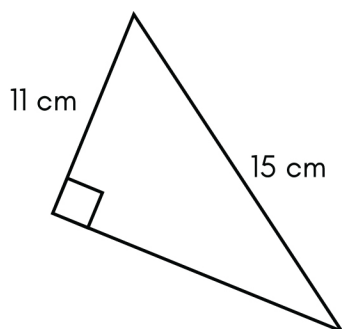
6)



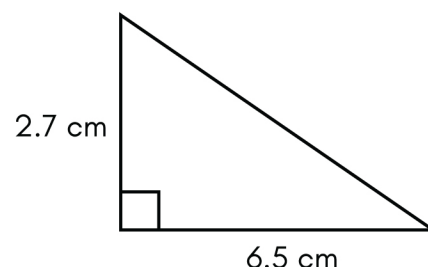
7)



8)



9)

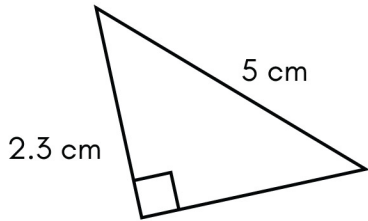


Name: \_\_\_\_\_

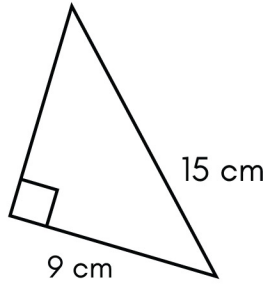
# EASY PYTHAGOREAN THEOREM WORKSHEET

## Answers

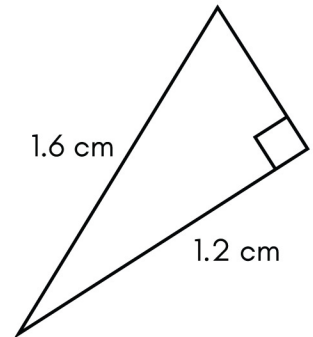
1)



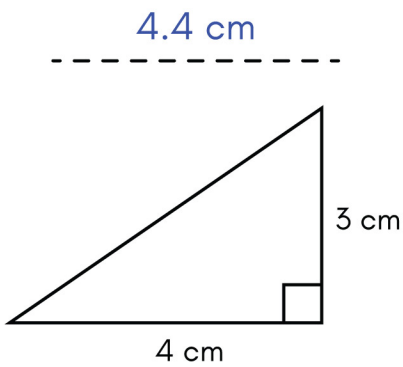
2)



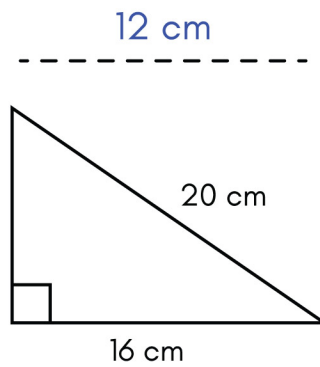
3)



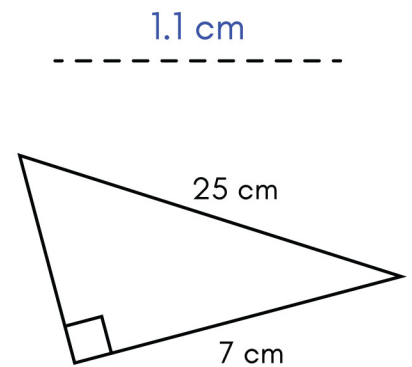
4)



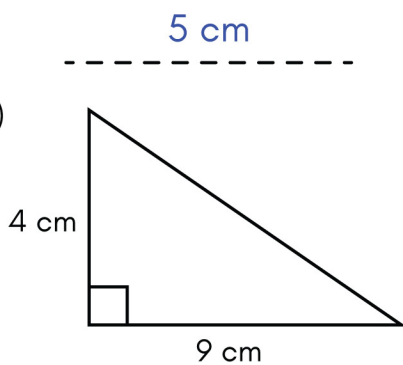
5)



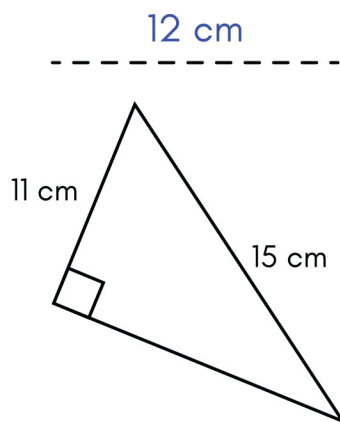
6)



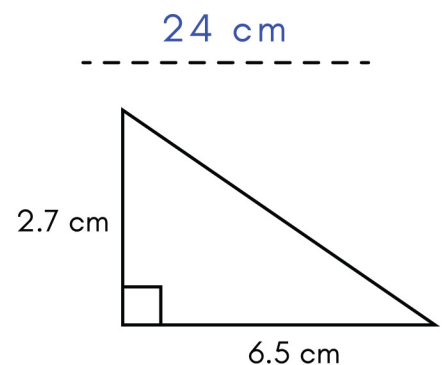
7)



8)



9)



9.8 cm

10.2 cm

7 cm