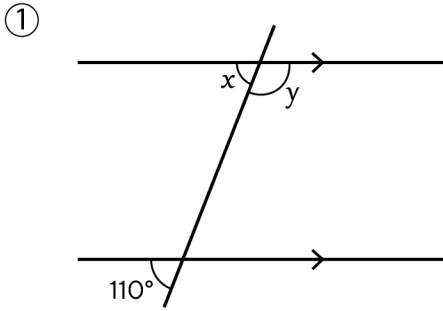
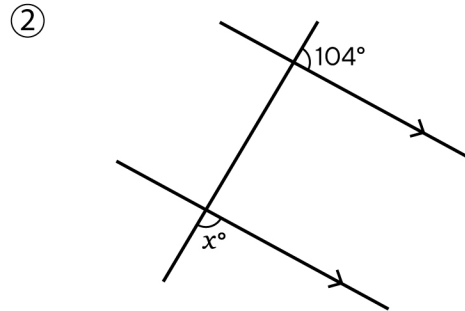


# Parallel Lines and Angles in Geometry

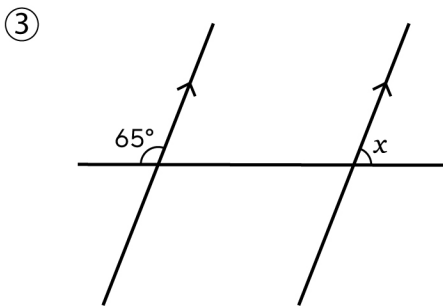
Solve for the variables in the given diagrams. Show your work.



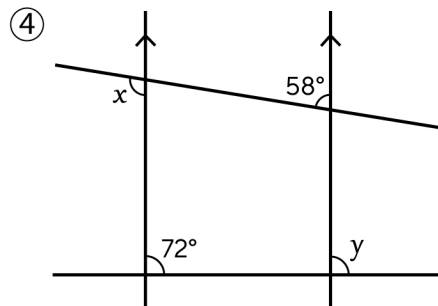
$x =$                    $y =$



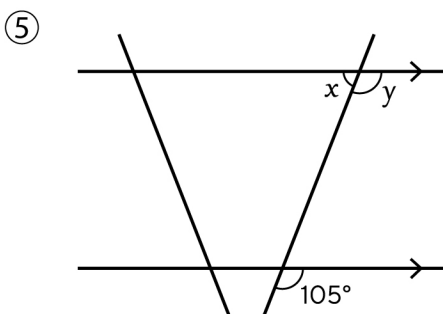
$x =$



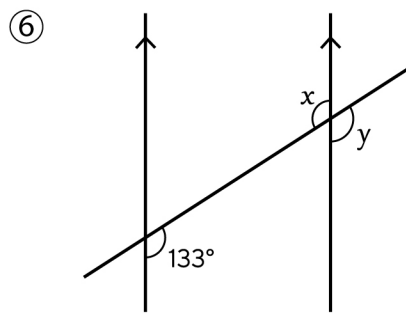
$x =$



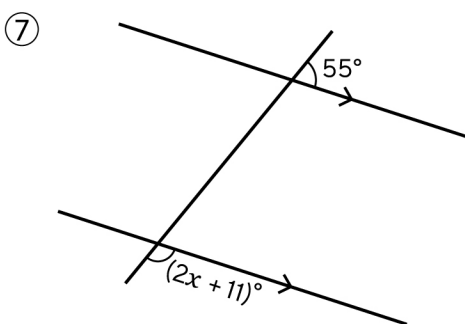
$x =$                    $y =$



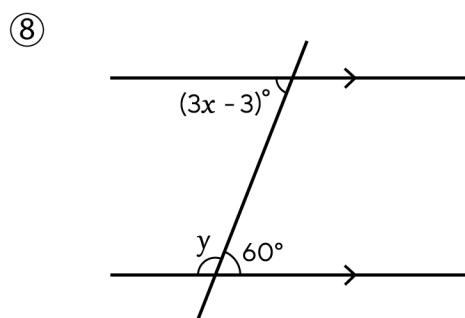
$x =$                    $y =$



$x = y =$



$x =$

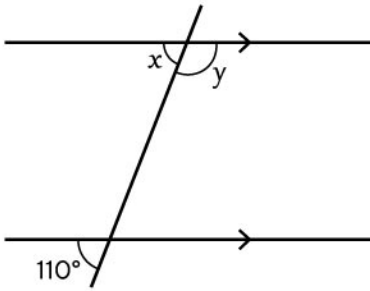


$x =$                    $y =$

# Parallel Lines and Angles in Geometry

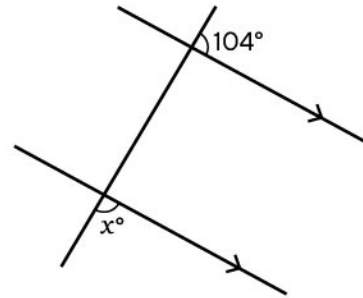
Answers

①



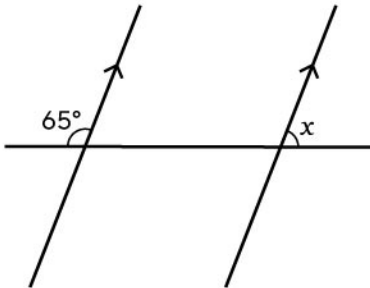
$x = 70^\circ$        $y = 110^\circ$

②



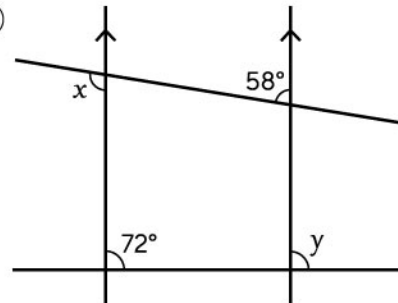
$x = 76^\circ$

③



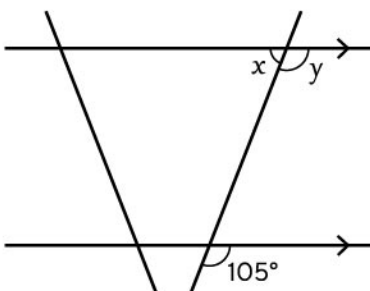
$x = 115^\circ$

④



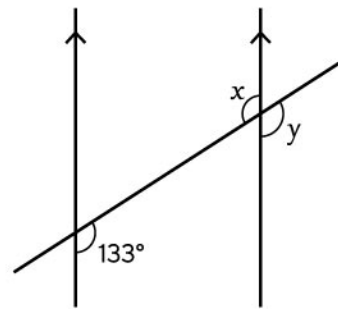
$x = 122^\circ$        $y = 72^\circ$

⑤



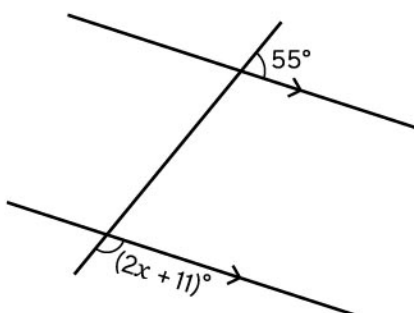
$x = 75^\circ$        $y = 105^\circ$

⑥



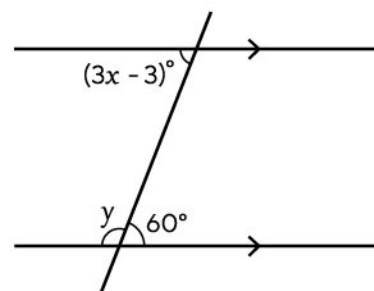
$x = y = 133^\circ$

⑦



$x^\circ = 57^\circ$

⑧



$x = 21^\circ$        $y = 120^\circ$