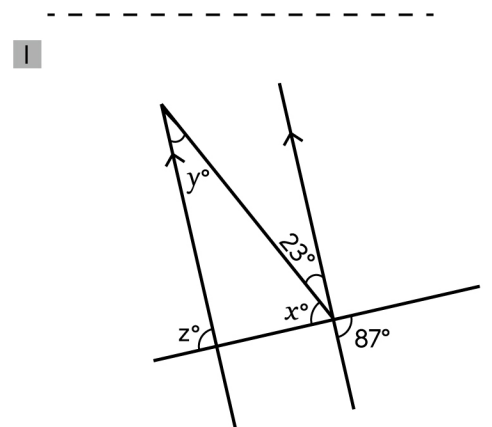
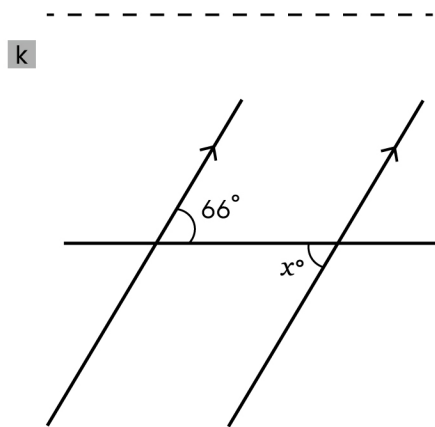
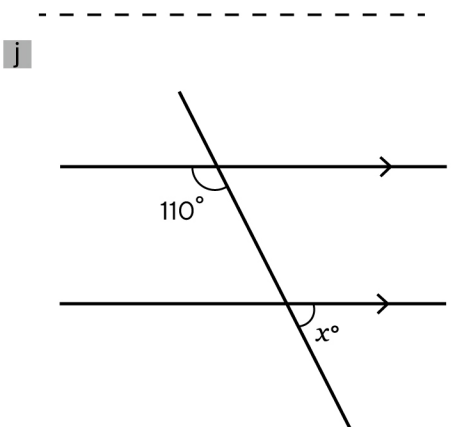
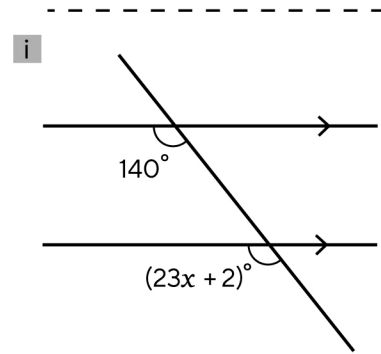
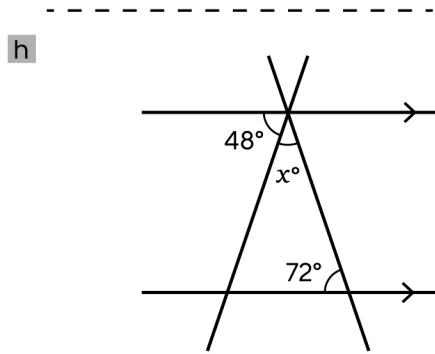
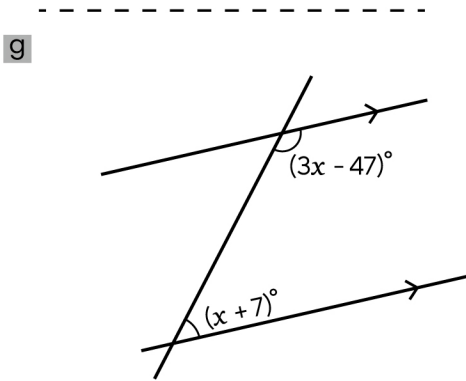
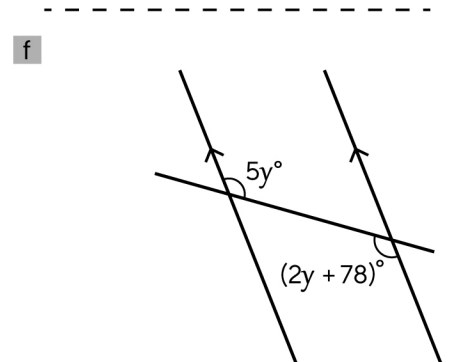
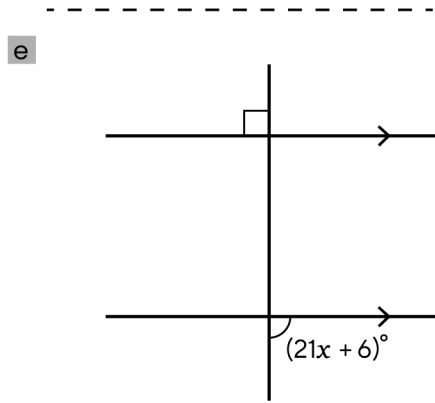
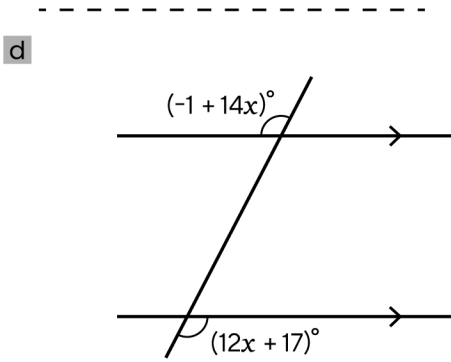
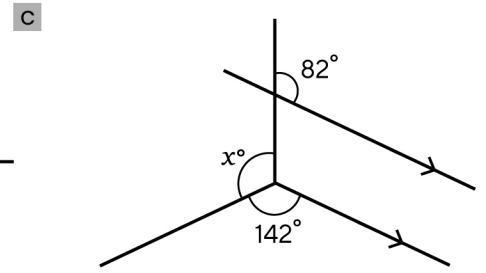
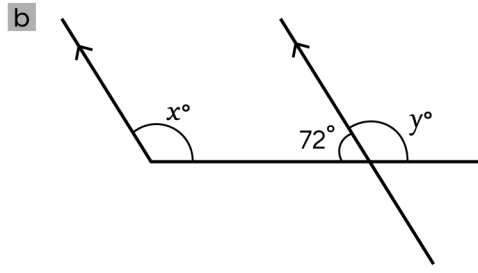
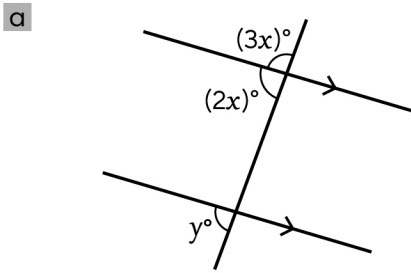


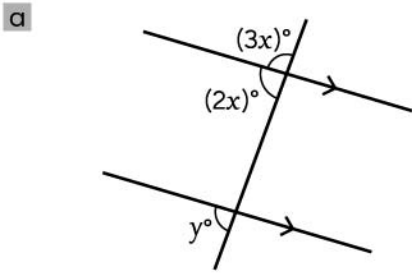
# Parallel Lines and Angles with Algebra

Determine the value of each unknown angle in the following.

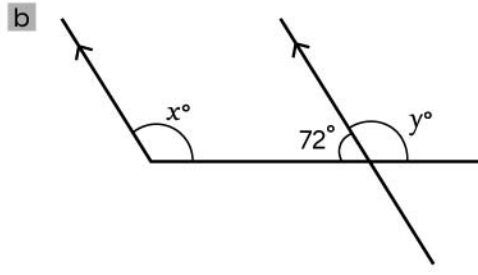


# Parallel Lines and Angles with Algebra

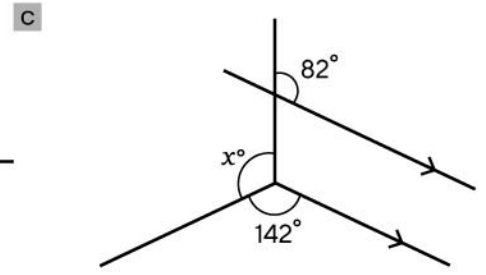
Answers



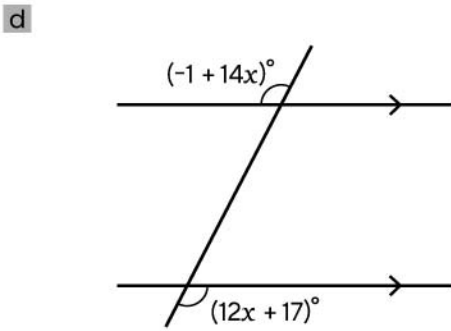
108°, 72°, 72°



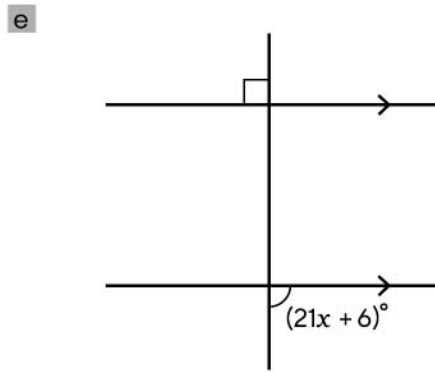
108°, 108°



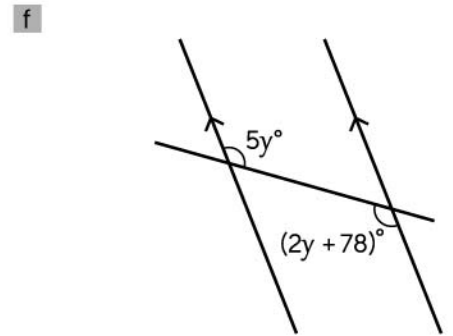
136°



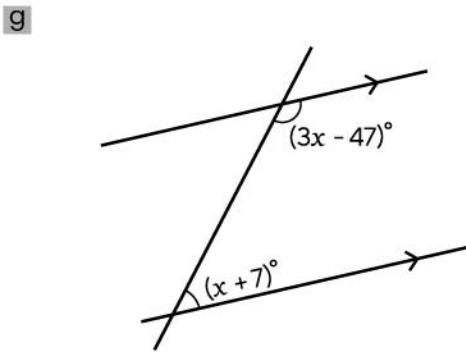
125°, 125°



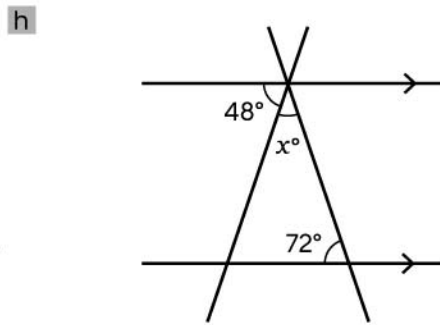
90°



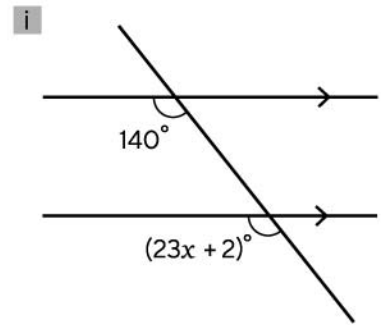
130°, 130°



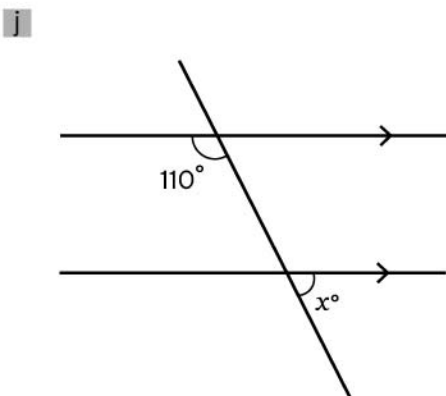
118°, 62°



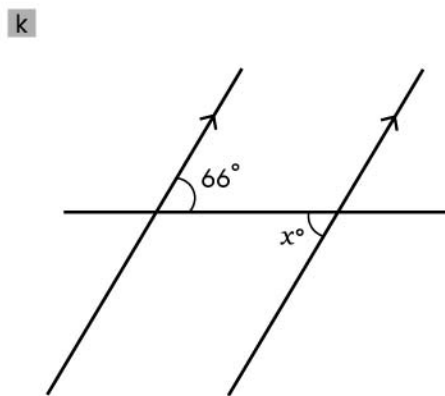
60°



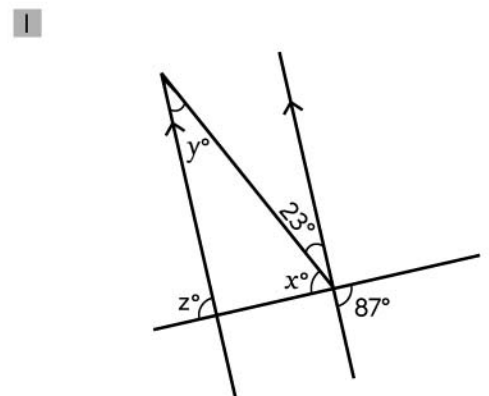
140°



70°



66°



87°, 23°, 64°